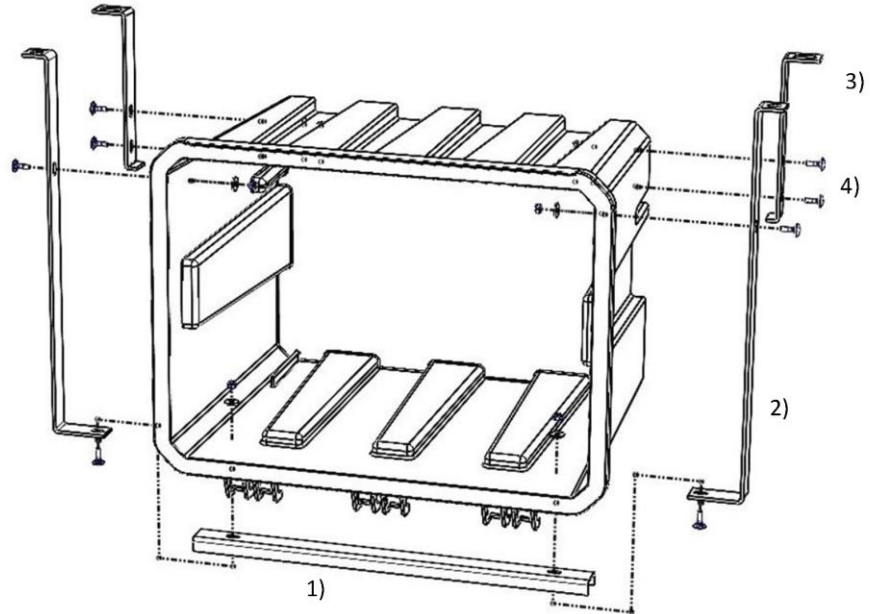


## INSTALLATION INSTRUCTIONS

102902 Installation kit SL4 (vertical) for  
100452 Toolbox 600x450x450



Pos.	Qty	Part	
1	1 x	U-profile 530mm	
2	2 x	Z-bracket 508mm	
3	2 x	Z-bracket 218mm	
4	9 x		Square Neck Bolt M6x20
4	9 x		Nut Nyloc M6
4	9 x		Washer M6x18

