



SAMURAI WINCH OWNERS MANUAL

WINCH MODELS:

S8000, S9500/SD, S12000, S14500

ENGLISH

DEUTSCH

FRANÇAIS

POLSKI

SUOMI

Register your product online



Doc-rev 20240701

SAVE THESE INSTRUCTIONS. This manual contains important safety precautions which should be read and understood before operating the product. Failure to do so could result in serious injury. Specifications, descriptions and images in this manual are as accurate as known at the time of publication, but are subject to change without notice.

INTRODUCTION

Congratulations on your purchase of a winch. We design and build winches to strict specifications and with proper use and maintenance your winch should bring you years of satisfying service.

Every effort has been made to ensure the accuracy and completeness of the information in this manual at the time of publication, and we reserve the right to change, alter and/or improve the product and this document at any time without prior notice.

SAFETY DEFINITIONS

Your winch can develop tremendous pulling forces and if used unsafely or improperly could result in property damage, serious injury or death. Throughout this manual, you will find the following symbols for caution, warning and danger. Pay particular attention to the notes preceded by these symbols as they are written for your safety. Ultimately, safe operation of this device rests with you, the operator.

DANGER

DANGER indicates a hazardous situation which, if not avoided, will result in death or serious injury.

WARNING

WARNING indicates a hazardous situation which, if not avoided, could result in death or serious injury.

CAUTION

CAUTION indicates a hazardous situation which, if not avoided, could result in minor or moderate injury.

NOTICE

NOTICE indicates information considered important, but not hazard-related (e.g., messages relating to property damage).

GETTING TO KNOW YOUR WINCH

Your winch is a powerful piece of machinery. It is important that you understand the basics of its operation and specifications so that when you need to use it, you can use it with confidence and safety. Below is a list of the components of your winch and their uses.

1. This winch is engineered for maximum line pull with only one layer of cable spooled onto the winch drum (the first layer).
2. Motor: The motor is powered by a 12/24-volt battery and provides power to the gear assembly which turns the drum and winds the wire rope in a direction.
3. Winch Drum: The winch drum is the cylinder on which the wire rope is stored. It can be spooled In or Out by use of the remote lead switch.
4. Winch Rope: Your winch been supplied with galvanized aircraft steel cable or synthetic rope and is designed specifically for load capacity of the rated line pull of this winch. The cable feeds on from underneath the drum position, it is looped at one end to accept the hook.
5. Fairlead (Supplied with selective models): For when using the winch at an angle the roller fairlead acts to guide the rope onto the drum evenly and minimizes damage to the rope or winch from abrasion.
6. Gear Assembly System: The reduction gears convert the winch motor power into extreme pulling forces.
7. Braking System: Braking action is automatically applied to the winch when the winch motor is stopped or there is a load on the wire rope. This is achieved by a separate external mechanical brake which applies the braking action. (Brakes are NOT designed as securing devices and the winch cables should never be left attached when vehicle / equipment is in transport).
8. Free Spooling Clutch: The clutch allows the operator to manually disengage ("CLUTCH OUT") the spooling drum from the gear train. This is called free spool. Engaging the clutch ("CLUTCH IN") locks the winch into the gear system.
9. Solenoid: Power from the vehicle battery flows through the weatherproof switch before being directed to the winch motor.
10. Wired Remote lead Switch: The remote switch leads have a dual switch for powering in or powering out your winch drum. The remote control allows you to stand clear of the wire rope when the winch is under load.
11. Wireless remote (Supplied on selective models): This is designed and offered for 'Offroad' or 'None Commercial' use only and is not included in any warranty offered, This allows the operator to always control the winch from up to 50 Ft away.
12. Universal Flat Bed Mounting Channel: (Optional) Your winch could have been optionally supplied with a flat bed mounting channel that can be mounted to most flat surfaces such as trailers, truck beds and structures etc. The mounting channel also has a number of mounting holes and holes to accept your roller fairlead.
13. Pulley/Snatch Block: (Optional) If your winch is supplied with a pulley/snatch block which can double the pulling power of the winch, or change the pulling direction without damaging the wire rope. We recommend you to use a double line and snatch block for pulling over 70% of the rated line pull.

IMPORTANT SAFETY INSTRUCTIONS

DANGER

DO NOT EXCEED RATED CAPACITY.

INTERMITTENT USE ONLY - COOL BETWEEN USES.

DO NOT use winch for lifting/moving people or live animals.

A minimum of five wraps of cable around the drum barrel is necessary for pulling and holding the rated load. The cable clamp is not designed to hold the load without the 5 wraps of cable around the drum. (usually marked red on the drum end of the cable)

DANGER

Keep yourself and others a **SAFE DISTANCE** to the side of the cable when under tension.

NEVER stand or step over a cable, or near a cable under load using a winch blanket or sail is strongly recommended.

DON'T move the vehicle to pull a load (towing) on the winch cable. This could result in cable breakage.

Disconnect the remote control and isolate when not in use.

DANGER

DO NOT exceed maximum pull rating. Avoid "shock loading" by using the remote lead switch intermittently to take up the slack in the wire rope. "Shock loading" can far exceed the rated capacity for the wire rope and drum and will result in damaging winch and brake. By doing so will void any warranty.

DANGER

DO NOT use you winch as securing device it is not designed for this and will result in damaging winch and brake and will void any warranty.

DO NOT exceed maximum line pull ratings shown on the tables.

DO NOT use as a hoist. Do not use for overhead lifting.

DANGER

NEVER cut, weld, or modify any part of the winch or cable. By doing so will void any warranty

DANGER

When re-spooling the cable Ensure that the cable spools in the under-wind position with the cable entering the drum from the bottom, not the top. To re-spool correctly, and while wearing gloves, keep a slight tension on the cable while pushing the remote control button to draw in the cable. Walk toward the winch **NEVER** allowing the winch cable to slide through your fingers or hands.

DO NOT let your hands get within 12"(30cm) of the winch while re-spooling. Turn off the winch and repeat the procedure until a few feet of cable is left. Disconnect the remote control and finish spooling by hand by rotating the drum manually with the clutch disengaged. Keep hands clear of the fairlead and drum while the winch is under power.

DANGER

Failure to read and understand these warnings may result in personal injury and/or property damage.

Always use gloves to protect hands when handling any type of cable/rope. Never let the cable slide through your hands.

NEVER connect the cable back to itself.

Always apply blocks/chocks/straps to the wheels of the vehicle/equipment when on an incline and in transportation.

No modifications, alterations, or deviation to the winch are authorized by the manufacturer and **MUST NOT** be made. By doing so will void any warranty.

Duration of winching pulls should be kept as short as possible. If the motor becomes uncomfortably hot to the touch, stop winching immediately and let it cool down for approx 8 mins minutes. Do not winch for more than two minutes at or near the maximum rated load without resting for 8 minutes.

DANGER

If the motor stalls **DO NOT** maintain winching. Winches are designed and made for intermittent use and should be used in conjunction with their duty cycles.

NEVER release the free-spool clutch when there is a load on the winch as the load will roll backwards.

Use hand saver hook when handling the hook for spooling or unspooling the wire rope.

NOTICE

The winch and its all-derivative types are rated at rated capacity when spooling the first rope layer on the drum. Overloading can damage the winch / motor / or wire rope.

For loads over 70% of rated line pull, we recommend the use of the pulley block / snatch block to double the wire rope line and reduce the strain. This will aid in two ways:

It will reduce the number of rope layers on the drum and reduce the load on the wire rope by as much as 50%. When doubling the lineback to the vehicle, always attach to the frame or another load bearing point..

NOTICE

The vehicle engine should always be kept running during winching operation to minimize battery drain and maximize power and speed of the winch. If the winch is used for a considerable amount of time with the engine switched off the battery will drain and be too weak to restart the vehicle engine. If this happens stop winching immediately, jump start the vehicle and charge the battery up before resuming winching operation.

NOTICE

Get to know your winch before you need to use it. We recommend that you set up a few test runs to familiarize yourself with rigging techniques; the sounds your winch makes under various loads and the way the cable spools on the drum, etc.

INSPECT the wire rope and equipment before each use. A frayed or damaged rope must be replaced immediately. Use only manufacturer's identical replacement rope with the exact specifications. (Ropes are not covered by any warranty offered)

INSPECT the winch installation and bolts to ensure that all bolts are tight before each operation or periodically.

NOTICE

Store the remote control lead inside your vehicle or in a safe place.

Never connect the winch cable back to itself. This will cause cable to damage. Always use a pulley, snatch block, sling or chain of suitable strength as shown in the illustrations.

NOTICE

Any winch that appears to be faulty, damaged, worn, or operates abnormally **MUST BE REMOVED FROM SERVICE UNTIL REPAIRED, REPLACED OR OVERHAULED**. It is recommended that the necessary repairs **ARE** made by a manufacturer's authorized repair facility **ONLY**.

NOTICE

Pull only on areas of the vehicle as specified by the vehicle manufacturer.

- Only accessories, attachments and/or adapters supplied by the manufacturer shall be used.

CAUTION

When using the tool, basic safety precautions should always be followed to reduce the risk of personal injury and damage to the equipment. Read all these instructions before using this tool!

WARNING

Keep children away. Children must never be allowed in the work area. Do not let them handle machines, tools, extension cords or operate this tool.

WARNING

Store idle equipment. When not in use, tools must be stored in a dry location to inhibit rust. Always lock up tools and keep out of reach of children.

CAUTION

Dress properly. Do not wear loose clothing or jewelry as they can be caught in moving parts. Protective, electrically non-conductive clothes and non-skid footwear are recommended when working. Wear restrictive hair covering to contain long hair.

WARNING

Use eye and ear protection. Always wear impact safety goggles. Wear a full-face shield if you are producing metal filings or wood chips. Wear a dust mask or respirator when working around metal, wood, and chemical dusts, and mists.

CAUTION

Maintain this winch with care. Keep this tool dry and clean for better and safer performance. Follow instructions for lubricating and changing accessories. Inspect winch rope periodically and, if damaged, have them replaced immediately by an authorized technician. The handles must be kept clean, dry, and free from oil and grease always.

Disconnect or unplug remote switch when not in use.

DANGER

Stay alert, watch what you are doing, use common sense. Do not operate any tool when you are tired.

WARNING

Check for damaged parts. Before using this winch, any parts that appear worn or damaged should be carefully checked to determine that it will operate properly and perform to its intended function. Check for damage including alignments, binding of moving parts; mounting fixtures. Any part that is damaged should be properly repaired or replaced by a qualified person. Do not use the tool if any switch does not turn "On" and "Off" properly.

WARNING

Replacement parts and accessories. When repairing or servicing, only use identical replacement parts. The use of any other parts will void the warranty.

⚠ WARNING

Do not operate tool if under the influence of alcohol or drugs. Read warning labels on prescription to determine if your judgment or reflexes are impaired while taking drugs. If there is any doubt, do not operate the tool.

⚠ DANGER

Keep hands and body away from Fairlead (cable intake slot) when operating.

Always secure vehicle in position before using winch.

⚠ WARNING

Be certain the winch is properly bolted to a structure (or vehicle) that can hold the winches maximum rated load.

Do not use inappropriate attachments to extend the length of the winch cable.

⚠ DANGER

Never lift people or hoist loads over people or lift live animals.

Never come in between the winch and the load when operating.

⚠ WARNING

Do not apply any loads to the winch when cable is fully extended past the safety mark. Keep at least 5 full wraps of cable on the spool, (Usually marked red on the winch cable at the drum end.)

After moving any piece of equipment with the winch, secure the the equipment in place. Do not rely on the winch to hold for an extended period of time nor whilst in transport, winches are not securing device, By doing so will void any warranty

⚠ CAUTION

Examine winch before using. Components may be affected by exposure to chemicals, salts, and rust.

Do not cross over or go underneath winch cable when under load.

Use gloves while handling cable.

⚠ WARNING

Never operate winch if cable shows any signs of weakening, such as knotting or kinking. If it does you must replace immediately.

⚠ DANGER

Do not move your vehicle with the cable extended and attached to the load. You could easily exceed the winch rating and snap the cable.

When the vehicle is parked on an incline you should use wheel chocks.

⚠ CAUTION

Always re-spool cable neatly after any operation this will avoid any winch cable misalignment for the next use

⚠ CAUTION

The winch cable must be wound onto the drum under a load of at least 10% of the rated line pull or the outer wraps will draw into inner wraps and damage winch cable.

Before operating the winch under load you should check proper function of the winch by engaging and disengaging the clutch, by operating the directional controls, and operating the speed controls. This will ensure that the winch is working properly and will help prevent unintended damage and injury. Cycling the winch prior to loading will also ensure the gears are properly aligned.

⚠ CAUTION

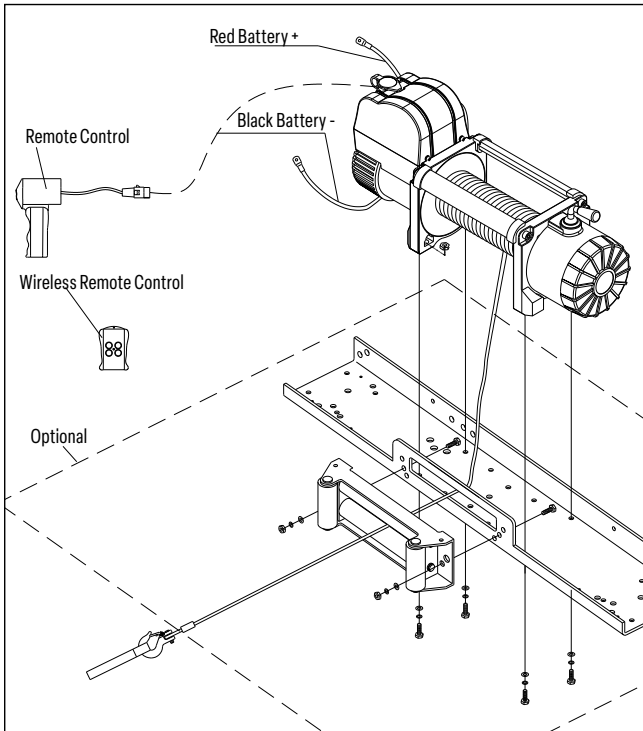
Batteries contain gases which are flammable and explosive. Wear eye protection during installation and remove all jewelry. Do not lean over battery while making connections.

⚠ WARNING

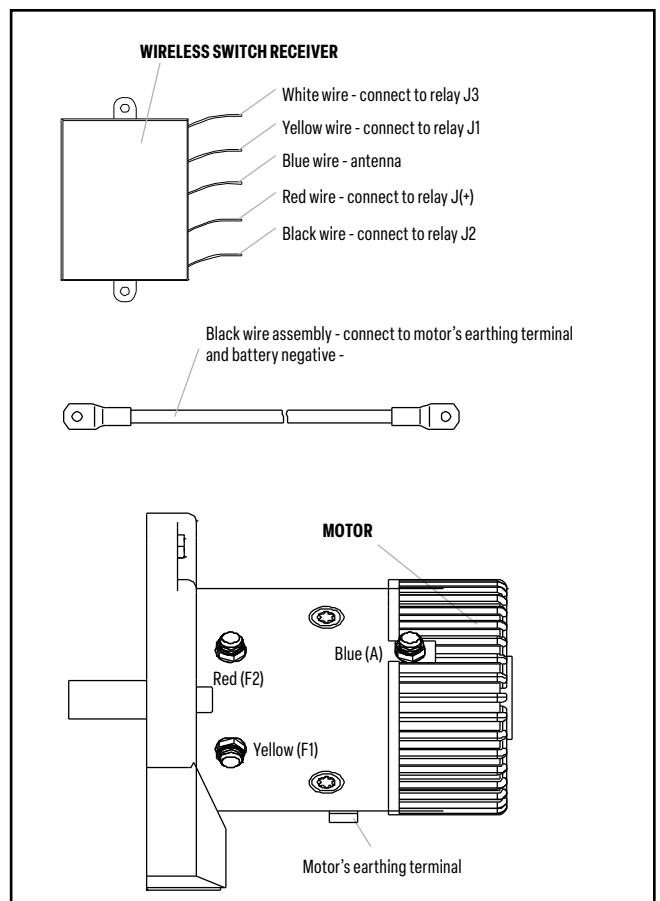
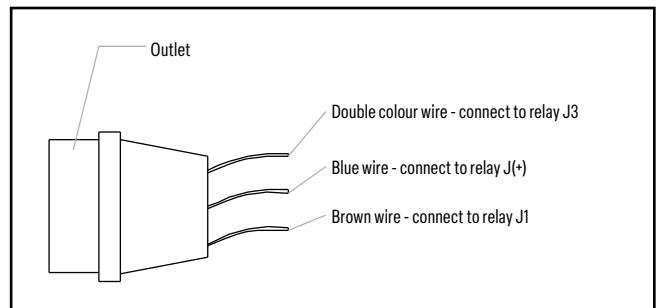
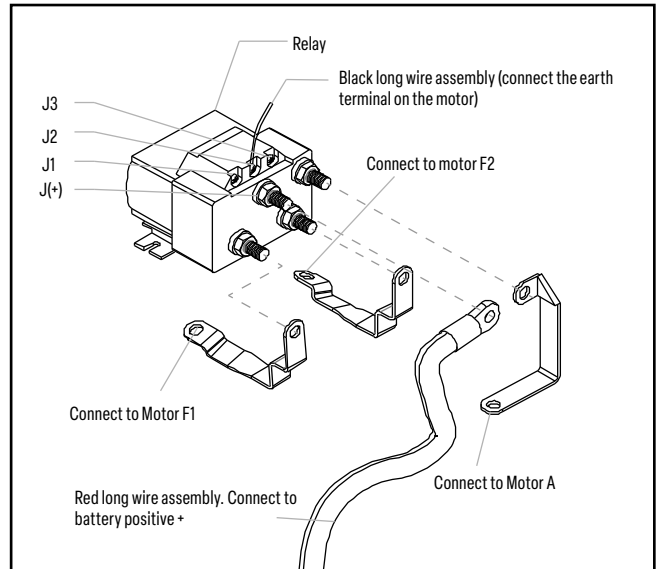
It is **strongly recommended** a battery isolator is installed to protect vehicle, equipment and user from hazardous situations, if one isn't supplied it is recommended one is purchased and installed before operation of the winch.

Failure to install a battery isolator or safety cut off could result in damage to the vehicle, equipment and (or) operator and will result in voiding any warranty offered.

WINCH ASSEMBLY AND MOUNTING



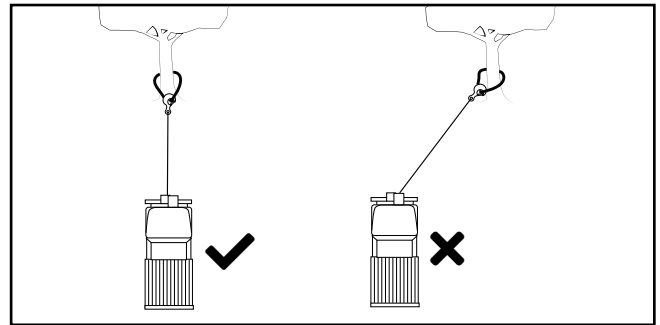
1. Your winch is designed with a bolt pattern that is standard in this class of winch. Many winch mounting kits are available that utilize this bolt pattern for the most popular vehicle and mounting channels. If you cannot find a kit locally, contact us and we will provide you with the name of a dealer near you. If you utilize the mounting channel, you must ensure that it is mounted on a flat surface so that the three major sections (motor, drum and gear housing) are properly aligned. Proper alignment of the winch will allow even distribution of the full rated load and reduce the chance of damaging winch or equipment. Poor installation contributes to approx 90% equipment or winch damage.
2. Start by connecting the Roller Fairlead to the Mounting Channel using 2 each of the Cap Bolt M10 X 35, Flat Washer, Lock Washer and securing with M10 Nut (Make sure the bolt is placed through the mounting channel and roller fairlead from inside the channel. This will allow enough clearance for the winch to be placed in the channel without obstruction.)
3. Assemble the winch to the (optional) Mounting Channel by first pulling and releasing the clutch knob to "Out" position (Free Spooling). Pull out a few inches of cable from the drum and feed the wire loop through the opening in the front of the mounting channel and roller fairlead. Now, using the remaining M10 x 35 Cap Bolts, Flat Washer, Lock Washer, and M10 Nut secure the winch to the mounting channel.
4. Connect the battery and motor leads as the drawing above. Remember every type of winch is different.
5. Connect the winch motor as detailed below:



⚠ CAUTION

Batteries contain gases which are flammable and explosive. Wear eye protection during installation and remove all jewelry. Do not lean over battery while making connections.

6. Assemble the Clevis Hook to the cable. Take off the pin from the Clevis Hook, connect the Clevis Hook to the cable and mount the pin back to the Clevis Hook.
7. Always use the Hand Saver (Optional) when free-spooling and re-spooling the wire rope. Using the Hand Saver keeps your hands and fingers away from the rotating drum.
8. Check for proper drum rotation. Pull or turn the clutch knob to the "OUT" "Disengage" position (Free-spooling). Pull out some cable from the drum, and then turn the clutch knob to the "IN" "Engage" position to engage the gears. Press the cable out button on the remote lead switch. If the drum is turning and releasing cable, then your connections are accurate. If the drum is turning and collecting more cable, then reverse the leads on the motor. Repeat and check rotation.



🗨 NOTICE

Short pulls from an angle can be used to straighten the vehicle/ equipment. Long pulls should be done with the wire rope in a straight line to winch/vehicle, see above illustration.

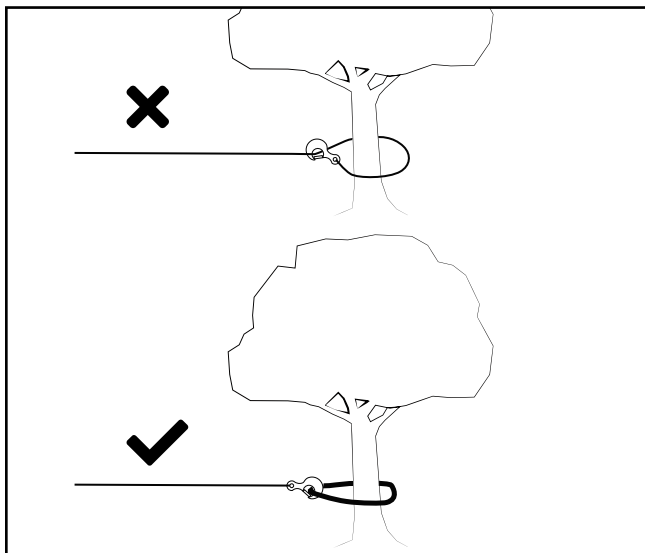
RIGGING TECHNIQUES

Locate a suitable anchor such as a strong tree trunk or boulder.

ALWAYS use a sling or strap as an anchor point on a object, Never use the cable or hook as an anchor point attached to an object.

⚠ CAUTION

NEVER attach the clevis hook back onto the winch cable as this could cause damage to the cable.



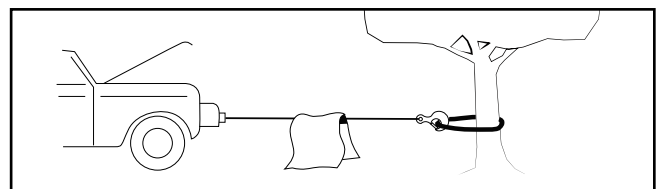
⚠ CAUTION

Do not winch from an acute angle as the wire rope will bind up on one side of the drum causing damage to wire rope (Bird Nesting) and cause major damage to winch and possible equipment.

⚠ CAUTION

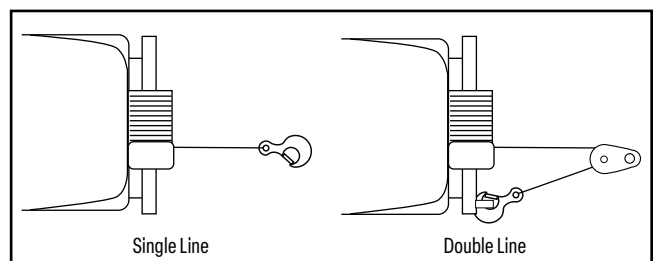
When pulling a heavy load, place a blanket or jacket over the wire rope five or six feet from the hook because in the event of a broken cable it will dampen the force.

For additional protection open the hood/bonnet of the vehicle as shown.



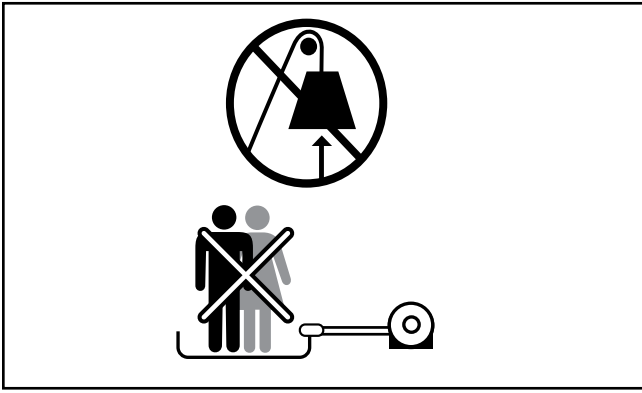
🗨 NOTICE

For pulls over 70% rated line pull, we recommend the use of the snatch/ pulley block to double line the wire rope. This reduces the load on the winch and the strain on the rope.



⚠ DANGER

Never use your winch for overhead hoisting, lifting of people, moving people or moving of live animals.



WINCHING TECHNIQUES A-Z

- Take time to assess your situation and plan your pull.
- Put on gloves to protect your hands.
- Disengage the clutch where possible to allow free-spooling and also save battery power.
- (If supplied) Attach the hand saver hook to the clevis hook.
- Pull out the wire rope to your desired anchor point safely.
- Secure the clevis hook to the anchor point: Sling, chain or snatch block. Do not attach the hook back onto the wire rope.
- Engage the clutch.
- Connect the remote control lead to the winch.
- Start your engine to ensure power is being replenished to the vehicle battery.
- Power in the wire rope guiding the wire under tension to draw up the slack in the wire. Once the wire is under tension stand well clear. Never stand or step over the wire rope under tension.
- Double check your anchors and make sure all connections are secure.
- Inspect the wire rope. Make sure there are at least 5 wraps of wire rope around the winch drum. (usually marked with red)
- Drape a blanket or sail (Sold separately) over the wire rope approximately 5 to 6 feet from the hook. Open the hood/bonnet for added protection.
- Clear the area. Make sure all people, spectators are well back and that no one is directly in front or behind the vehicle or anchor point.
- Begin winching. Be sure that the wire rope is winding evenly and tightly around the drum. If needed, the vehicle that is being winched can be slowly driven to add assistance to the winching process. Avoid shock loading; keep the wire rope under tension.
- The vehicle to be winched should be placed in neutral and the emergency brake released. Only release the brake pedal when under full tension. Avoid shock loading to the winch. This can damage the winch, rope and vehicle.
- The winch is meant for intermittent use. Under full load with a single line rig do not power in for more than 8 minutes without letting the motor cool down for a few minutes and then resume the winching operation.
- The winching operation is complete once the vehicle is on stable ground and or can drive under its own power.

- Secure the vehicle. Be sure to set the brakes and place the vehicle in park.
- Release the tension on the wire rope. The winch is NOT designed as securing device and should NEVER hold a load or secure whilst in transport, winch cable MUST be released when equipment or vehicle is secure. Not doing so will possibly damage the brake and winch and void any warranty.
- Disconnect the wire rope from the anchor and NEVER leave connected.
- Rewind the wire rope. Make sure that any wire already on the drum has spooled tightly and neatly. If not, draw out the wire and re-spool from the point where the rope is tight.
- Keep your hands clear of the winch drum and fairlead as the wire rope is being drawn in.
- Secure the hook and hook strap.
- Disconnect the remote control lead and store in a clean, dry place.
- Clean and inspect connections and mounting hardware for next winching operation.

MAINTENANCE

- Periodically check the tightness of mounting bolts and electrical connections. Remove all dirt or corrosion and always keep clean.
- Do not attempt to disassemble the gear box. Repairs should be done by the manufacturer or an authorized repair center.
- The gear box has been lubricated using a high temperature lithium grease and is sealed at the factory. No internal lubrication is required.

REPLACING THE WIRE ROPE

If the wire rope has become worn or is beginning to show signs of fraying, it must be replaced before being used again.

- Turn the clutch to the "CLUTCH OUT" position.
- Extend cable to its full length. Note how the existing cable is connected to the drum.
- Remove old cable assembly and attach new one as the old cable connected to the drum. Insert the end of the new rope and secure the screw M8x10.
- Ensure that the new cable wraps in the same rotation direction as the old one. The cable should exit the drum from the bottom, under the drum. (Underwind).
- Turn the clutch to the "CLUTCH IN" position.
- Winch cable onto drum, first five wraps being careful not to allow kinking, then winch cable must be wound onto the drum under a load of at least 10% rated line pull.

WARNING

Only replace the wire rope with the identical replacement part recommended by the manufacturer. Steel or synthetic ropes are NOT covered by any warranty offer and are sole responsibility of the owner or user to maintain and replace if necessary.

TROUBLESHOOTING

Problem	Cause	Solution
Motor does not turn on	Remote assembly not connected properly	Check remote lead and connections.
	Loose battery cable connections	Check battery and connections.
	Defective remote assembly	Replace remote lead assembly.
	Defective motor	Check for voltage at armature port with Switch pressed. If no voltage is present, replace motor.
	Water has entered motor	Allow to drain and dry. Run winch until completely dry.
Motor runs but drum does not turn	Clutch not engaged	Turn clutch to the "In" position. If problem persists, ask a technician to check and repair.
Motor runs slowly or without normal power	Insufficient current or voltage	Operate winch while vehicle motor running
Motor overheating	Winch running for too long	Allow winch to cool down periodically.
Motor runs in one direction only	Loose or corroded battery cable or motor cable connections.	- Clean and tighten. - Repair or replace switch assembly.
Winch braking malfunction	Cable runs in wrong direction	Adjust the cable working direction
	Brake slice worn or breakdown	Adjust braking angle or replaces with new brake slice

WARRANTY*

BPE Limited are the sole distributors of these WARRIOR WINCHES and associated brands/equipment.

BPE Limited ("seller" or BPE) warrants to the original retail buyer only ("Buyer") that any mechanical component of this genuine winch ("product(s)") are free of defects in material and workmanship for the lifetime of the winch.

The electrical components (including the motor, contactor, and switches) will be free of defects in material and workmanship for a period of (3) three years (36 Months) from the original purchase provable date of purchase

Any product BPE Limited determines to be defective will be repaired or replaced at our (BPE Limited) sole discretion without charge to the Buyer upon Buyer's compliance with this procedure. Seller or its Authorized Agent may make reasonable charges for parts and(or) labour for repairs not covered by this Lifetime Limited Warranty. None warrantable returns will be charged at BPE Limited standard rates. The warranties set forth herein are exclusive and in lieu of all other warranties, whether oral or written, express or implied.

If in the event your product becomes faulty within your warranty period

To obtain service or repair under this warranty, the Buyer shall mail, ship or otherwise deliver to the manufacturers address, at the Buyers expense; (1) the Product, (2) a written description of the problem, (3) Buyers name, address and contact number, (4) copy of the original purchase receipt or BPE Limited can arrange a suitable collection method (Charges apply).

Warranty Exclusions

The Warranty does not cover the cost of labour or transportation/shipping charges for the replacement or installation of defective part(s).

This warranty does not apply to defects of the Product caused by; (1) normal wear and tear, (2) failure to comply with any installation, maintenance or subjecting the product to loads in excess of the loads written/listed in the owners manual or as detailed upon the Sellers website, (3) alteration or modification by any parties other than the manufacturer, (4) misuse, abuse, neglect, accidents, Acts of God, terrorism or (5) failure to correctly use the item according to the owners manual (7) other causes beyond the control of the Seller after delivery of the Product to the Sellers Authorized Agent.

Other Exclusions

This Warranty does not cover steel cables, synthetic ropes, fairleads, wireless remotes or any exterior finishes outside thirty (30) Days from purchase.

BPE Limited shall not be responsible or liable for any indirect or consequential damages. These consequential damages may include, but are not limited to, lost profits or loss of use, down time or damage to other person(s) equipment.

BPE Limited reserves the right to change the Product design without notice. BPE Limited reserves the right to replace any part or whole unit with a newer design of the same function.

SPECIFICATIONS S8000

Rated line pull	8000 lbs (3628kg)	
Gear reduction ratio	196:1	
Motor	12V:Input: 4.3Kw/ 5.8hp Output: 2.0kW/ 2.7hp 24V:Input: 5.5Kw/ 7.4hp Output: 2.8kW/ 3.8hp	
Overall dimensions	559 mm ×160mm ×248mm (22"×6.3"×9.8")	
Drum size	Ø63mm×223 mm (Ø2.48 "×8.8 ")	
Cable	Synthetic rope	Wire rope
	Ø8mm × 25m (Ø0.31" × 82 ')	Ø8.3mm × 29m (Ø0.32" × 95 ')
Net Weight	Synthetic rope	Wire rope
	28kg (61.7 lbs)	39kg (85.9 lbs)

Line Pull, Line Speed and Amperes (First layer)

EN

Line Pull	Line Speed ft/min (m/min)	Motor current Amps (Max)
lbs (kgs)	12V DC	12V DC
0	36(11.0)	50
2000 (900)	17.4(5.3)	125
4000 (1800)	13.1(4.0)	200
6000 (2721)	10.5(3.2)	260
8000 (3628)	8.2(2.5)	310

Layers, Line Pull and Rope Capacity

Layer	Rated line pull lbs (kgs)	Total rope on the drum ft (m)
1	8000 (3628)	21.3 (6.5)
2	6620 (3000)	46.9 (14.3)
3	5650 (2562)	77.1 (23.5)
4	4920 (2230)	95.1 (29)

SPECIFICATIONS S9500SD

Rated line pull	9500 lbs (4309kg)	
Gear reduction ratio	196:1	
Motor	12V:Input: 4.6Kw / 6.1hp Output: 2.1kW / 2.8hp 24V:Input: 5.8Kw / 7.8hp Output: 2.8kW / 3.8hp	
Overall dimensions	456 mm ×160mm ×248mm (18"×6.3"×9.8")	
Drum size	Ø63mm×120 mm (Ø2.48 "×4.7 ")	
Cable	Synthetic rope	Wire rope
	Ø9.5mm×15m (Ø0.37"×49.2 ')	Ø9.2mm×14m (Ø0.36"×45.9 ')
Net Weight	Synthetic rope	Wire rope
	27kg (59.5 lbs)	32kg (70.5 lbs)

Line Pull, Line Speed and Amperes (First layer)

Line Pull	Line Speed ft/min (m/min)	Motor current Amps (Max)
lbs (kgs)	12V DC	12V DC
0	36 (11.0)	50
2000 (900)	17.4 (5.3)	120
3000 (1360)	15.4 (4.7)	150
6000 (2721)	10.5 (3.2)	260
8000 (3628)	8.2 (2.5)	300
9500 (4309)	6.5 (2.0)	355

Layers, Line Pull and Rope Capacity

Layer	Rated line pull lbs (kgs)	Total rope on the drum ft (m)
1	9500 (4309)	9.8(3.0)
2	7600 (3447)	24.6 (7.5)
3	6200 (2812)	42.7(13.0)
4	5400 (2449)	45.9 (14.0)

SPECIFICATIONS S9500

Rated line pull	9500 lbs (4309kg)	
Gear reduction ratio	196:1	
Motor	12V:Input: 4.6Kw / 6.1hp Output: 2.1kW / 2.8hp 24V:Input: 5.8Kw / 7.8hp Output: 2.8kW / 3.8hp	
Overall dimensions	559 mm ×160mm ×248mm (22"×6.3"×9.8")	
Drum size	Ø63mm×223 mm (Ø2.48 "×8.8 ")	
Cable	Synthetic rope	Wire rope
	Ø9.5mm×25m (Ø0.37"×82')	Ø9.2mm×26m (Ø0.36"×85.3')
Net Weight	Synthetic rope	Wire rope
	30kg (66.1 lbs)	40kg (88.1 lbs)

Line Pull, Line Speed and Amperes (First layer)

EN

Line Pull	Line Speed ft/min (m/min)	Motor current Amps (Max)
lbs (kgs)	12V DC	12V DC
0	36 (11.0)	50
2000 (900)	17.4 (5.3)	120
3000 (1360)	15.4 (4.7)	150
6000 (2721)	10.5 (3.2)	260
8000 (3628)	8.2 (2.5)	300
9500 (4309)	6.5 (2.0)	355

Layers, Line Pull and Rope Capacity

Layer	Rated line pull lbs (kgs)	Total rope on the drum ft (m)
1	9500 (4309)	18 (5.5)
2	7600 (3447)	39.4 (12)
3	6200 (2812)	64 (19.5)
4	5400 (2449)	85 (26.0)

SPECIFICATIONS S12000

Rated line pull	12000 lbs (5443kg)	
Gear reduction ratio	253:1	
Motor	12V:Input: 5.0Kw / 6.7hp Output: 3.2hp / 2.4kW 24v:Input: 6.0Kw / 8.0hp Output: 4.2hp / 3.1kW	
Overall dimensions	559 mm ×160mm ×248mm (22"×6.3"×9.8")	
Drum size	Ø63mm×223 mm (Ø2.48 "×8.8 ")	
Cable	Synthetic rope	Wire rope
	Ø11mm×25m (Ø0.43"×82 ')	Ø10.2mm×25.5m (Ø0.4"×83.6 ')
Net Weight	Synthetic rope	Wire rope
	32kg (70.5 lbs)	44kg (97 lbs)

Line Pull, Line Speed and Amperes (First layer)

Line Pull	Line Speed ft/min (m/min)		Current A	
	lbs (kgs)	12V DC	24V DC	12V DC
0	27.9 (8.5)	36.1 (11.0)	45	30
6000 (2721)	11.5 (3.5)	12.1 (3.7)	200	130
8000 (3628)	8.2 (2.5)	10.5 (3.2)	240	180
10000 (4535)	5.9 (1.8)	8.9 (2.7)	300	220
12000 (5443)	4.6 (1.4)	7.9 (2.4)	370	250

Layers, Line Pull and Rope Capacity

Layer	Rated line pull lbs (kgs)	Total rope on the drum ft (m)
1	12000 (5443)	15.1 (4.6)
2	9533 (4324)	34.1 (10.4)
3	7907 (3586)	57.7 (17.6)
4	6755 (3064)	83.7 (25.5)

SPECIFICATIONS S14500

Rated line pull	14500 lbs (6577kg)	
Gear reduction ratio	253:1	
Motor	12V:Input: 5.4Kw / 7.2hp Output: 2.7kW / 3.6hp 24V:Input: 6.2Kw / 8.3hp Output: 3.3kW / 4.4hp	
Overall dimensions	593 mm ×160mm ×248mm (23.35"×6.3"×9.8")	
Drum size	Ø63mm×223 mm (Ø2.48 "×8.8 ")	
Cable	Synthetic rope	Wire rope
	Ø11mm×25m (Ø0.43"×82 ')	Ø10.2mm×25.5m (Ø0.4"×83.6 ')
Net Weight	Synthetic rope	Wire rope
	33kg (72.7 lbs)	43kg (94.7 lbs)

Line Pull, Line Speed and Amperes (First layer)

EN

Line Pull	Line Speed ft/min (m/min)		Current A	
	lbs (kgs)	12V DC	24V DC	12V DC
0	27.9 (8.5)	36.1 (11.0)	45	30
6000 (2721)	11.5 (3.5)	13.8 (4.2)	200	130
8000 (3628)	7.87 (2.4)	10.5 (3.2)	245	160
10000 (4535)	5.57 (1.7)	8.9 (2.7)	310	190
12000 (5443)	4.92 (1.5)	7.9 (2.4)	380	230
14500 (6577)	2.6 (0.8)	4.26 (1.3)	460	300

Layers, Line Pull and Rope Capacity

Layer	Rated line pull lbs (kgs)	Total rope on the drum ft (m)
1	14500 (6577)	15.1 (4.6)
2	11519 (5224)	34.1 (10.4)
3	9556 (4334)	57.7 (17.6)
4	8163 (3702)	83.7 (25.5)

EINFÜHRUNG

Herzlichen Glückwunsch zum Kauf Ihrer Winde. Wir entwickeln und bauen Winden nach strengen Vorgaben. Bei richtiger Anwendung und Wartung wird Ihre Winde Ihnen jahrelang gute Dienste leisten.

Es wurden alle Anstrengungen unternommen, um die Richtigkeit und Vollständigkeit der Informationen in diesem Handbuch zum Zeitpunkt der Veröffentlichung zu gewährleisten. Wir behalten uns das Recht vor, das Produkt und dieses Dokument jederzeit ohne Vorankündigung zu ändern, zu ergänzen und/oder zu verbessern.

SICHERHEITSHINWEISE

Ihre Winde kann enorme Zugkräfte entwickeln. Bei unsachgemäßer Verwendung kann es daher zu Sachschäden und schweren Verletzungen, eventuell sogar mit Todesfolge, kommen. In diesem Handbuch finden Sie die folgenden Symbole für „Vorsicht“, „Warnung“ und „Gefahr“. Achten Sie besonders auf die Hinweise, denen diese Symbole vorangestellt sind, da sie Ihrer Sicherheit dienen. Letztendlich liegt die Verantwortung für den sicheren Betrieb dieses Geräts bei Ihnen, dem Bediener.

GEFAHR

GEFAHR weist auf eine gefährliche Situation hin, die bei Nichtbeachtung zum Tod oder zu schweren Verletzungen führt.

WARNUNG

WARNUNG weist auf eine gefährliche Situation hin, die bei Nichtbeachtung zum Tod oder zu schweren Verletzungen führen kann.

VORSICHT

VORSICHT weist auf eine gefährliche Situation hin, die bei Nichtbeachtung zu leichten oder mittelschweren Verletzungen führen kann.

HINWEIS

HINWEIS kennzeichnet Informationen, die als wichtig erachtet werden, aber nicht mit Gefahren verbunden sind (z.B. Meldungen über Sachschäden).

LERNEN SIE IHRE WINDE KENNEN

Ihre Winde ist ein leistungsstarkes Gerät. Es ist wichtig, dass Sie die Funktionsweise und die technischen Einzelheiten dieser Winde verstehen, damit Sie das Gerät sicher verwenden können. Nachfolgend finden Sie eine Liste der Komponenten Ihrer Winde und deren Verwendung.

1. Diese Winde entwickelt die maximale Zugkraft auf der untersten (ersten) Seillage.
2. Motor: Der Motor wird von einer 12/24 Volt Batterie angetrieben und führt dem Getriebe, das die Trommel dreht und das Seil aufwickelt, Strom zu.
3. Windentrommel: Die Windentrommel ist der Zylinder, auf dem das Seil gelagert ist. Sie kann mithilfe der Fernbedienung bewegt werden, um das Seil auf- oder abzuwickeln.
4. Drahtseil: Die Winde ist mit einem verzinkten Flugzeugseil oder einem Kunststoffseil ausgestattet, das speziell für den Traglastbereich der dieser Winde ausgelegt ist. Das Drahtseil wird von unterhalb der Trommel durch das mitgelieferte Seilfenster geführt und am Ende eine Schlinge, um den Gabelkopfhaken aufzunehmen.
5. Seilfenster: Wenn die Winde in einem bestimmten Winkel benutzt wird, dient das Rollenseilfenster dazu, das Seil auf die Trommel zu führen und so die Beschädigung des Seils durch Abrieb an der Windenhalterung oder den Trommelflanschen zu minimieren.
6. Getriebesystem: Die Untersetzungsgetriebe wandeln die Motorleistung der Winde in extreme Zugkräfte um.
7. Externes Bremssystem: Die Bremswirkung wird automatisch auf die Winde ausgeübt, wenn der Windenmotor angehalten wird oder wenn eine Last auf dem Drahtseil liegt. Dies wird durch eine externe mechanische Bremse erreicht. (Bremsen sind NICHT als Sicherungsvorrichtungen vorgesehen und Windenseile dürfen niemals befestigt sein, wenn das Fahrzeug/die Ausrüstung transportiert wird).
8. Freilaufkupplung: Mithilfe der Kupplung kann der Bediener die Trommel manuell vom Getriebe abkoppeln („CLUTCH OUT“). Dies wird als Freilauf bezeichnet. Durch Einrücken der Kupplung („CLUTCH IN“) wird die Winde an das Getriebe gebunden.
9. Solenoid: Der Strom von der Fahrzeugbatterie fließt durch den wetterfesten Schutzschalter, bevor er zum Windenmotor geleitet wird.
10. Kabelgebundene Fernbedienung: Die Fernbedienung verfügt über einen Doppelschalter, um die Windentrommel zu bewegen und das Seil auf- oder abzuwickeln. Mit der Fernbedienung können Sie die Winde von einer sicheren Entfernung zum Drahtseil aus bedienen, wenn die Winde unter Last steht.
11. Kabellose Fernbedienung (nicht enthalten): Diese Fernbedienung ist nur für den „Offroad“- bzw. den „nicht kommerziellen“ Einsatz vorgesehen und ist nicht von der Garantie abgedeckt. Mit dieser Fernbedienung ist der Bediener in der Lage, die Winde aus einer Entfernung von bis zu 15 Metern zu steuern.
12. Universal-Flachbett-Montageschiene: (Optional) Möglicherweise ist Ihre Winde mit einer Flachbett-Montageschiene ausgestattet, die an den meisten flachen Oberflächen wie Anhängern, Ladeflächen und anderen Strukturen befestigt werden kann. Die Montageschiene

verfügt auch über eine Reihe von Befestigungslöchern und Bohrungen zur Aufnahme Ihres Rollenseilfensters.

13. Umlenkrolle: (Optional) Wenn Ihre Winde mit einer Umlenkrolle ausgestattet ist, kann damit die Zugkraft der Winde verdoppelt oder die Zugrichtung geändert werden, ohne das Drahtseil zu beschädigen. Wir empfehlen Ihnen, ein Doppelseil und eine Umlenkrolle zu verwenden, um mehr als 70 % der Nennzugkraft des Seils zu ziehen.

WICHTIGE SICHERHEITSHINWEISE

GEFAHR

DIE NENNTRAGLAST DARF NICHT ÜBERSCHRITTEN WERDEN.

NUR FÜR DIE PERIODISCHE VERWENDUNG - ZWISCHEN EINSÄTZEN ABKÜHLEN LASSEN.

NICHT zum Heben/Bewegen von Menschen oder lebenden Tieren verwenden.

Zum Ziehen und Halten der Nennlast sind mindestens fünf Seilwicklungen auf der Trommel erforderlich. Die Seilklemme ist nicht zum Halten der Last vorgesehen, wenn sich nicht mindestens 5 Seilwindungen auf der Trommel befinden (normalerweise macht eine rote Markierung am Trommelende des Seils darauf aufmerksam)

GEFAHR

Achten Sie darauf, dass Sie und andere Personen sich in einem **SICHEREN ABSTAND** neben dem Seil aufhalten, wenn es unter Spannung steht.

Steigen Sie NIEMALS über ein unter Last stehendes Seil, stellen Sie sich nicht auf das Seil und halten Sie sich nicht in seiner Nähe auf. Es wird dringend empfohlen, eine Decke oder ein Segel zu verwenden.

Verwenden Sie das Fahrzeug**NICHT**, um eine Last am Windenseil zu ziehen (Abschleppen). Dies kann zum Reißen des Seils führen.

Trennen Sie die Fernbedienung und die Batteriekabel ab, wenn Sie die Winde nicht benutzen.

GEFAHR

Die maximale Zugkraft darf NICHT überschritten werden. Vermeiden Sie „Schocklasten“, indem Sie den Kontrollschalter der Fernbedienung schrittweise verwenden, um Spiel im Drahtseil zu vermeiden. Das Seil sollte immer unter Spannung sein. „Schocklasten“ können die Nennzugkraft des Drahtseils und der Trommel weit überschreiten und zu einer Beschädigung von Winde und Bremse führen. In diesem Fall erlischt jegliche Garantie.

GEFAHR

Die Winde darf NICHT als Sicherungsvorrichtung verwendet werden. Sie ist nicht für diesen Zweck ausgelegt. Bei Fehlgebrauch kann es zu einer Beschädigung der Winde und der Bremse kommen. In diesem Fall erlischt die Garantie.

Die in den Tabellen angegebenen Werte für die maximale Zugkraft dürfen **NICHT** überschritten werden.

Die Winde darf**NICHT** als Hebezeug verwendet werden. Nicht zum Überkopfheben verwenden.

GEFAHR

NIEMALS einen Teil der Winde oder des Seils schneiden, schweißen oder modifizieren. In diesem Fall erlischt jegliche Garantie.

GEFAHR

Beim Aufwickeln muss darauf geachtet werden, dass das Seil mit dem Seileinlauf unten aufgewickelt wird und von unten, nicht von oben, in die Trommel eintritt. Tragen Sie beim Aufwickeln des Seils Handschuhe. Um das Seil korrekt aufzuwickeln, muss eine leichte Spannung auf dem Seil vorhanden sein. Drücken Sie die Taste auf der Fernbedienung, um das Seil einzuziehen. Gehen Sie auf die Winde zu und lassen Sie das Seil **NIEMALS** durch die Finger oder Hände gleiten.

Achten Sie darauf, dass sich die Hände während des Aufwickelns **NICHT** näher als 30 cm an der Winde befinden. Schalten Sie die Winde aus und wiederholen Sie den Vorgang, bis nur noch ein paar Meter Seil übrig sind. Trennen Sie die Fernbedienung ab und beenden Sie den Wickelvorgang von Hand, indem Sie die Trommel bei ausgerückter Kupplung mit der Hand drehen. Halten Sie die Hände von der Umlenkrolle und der Trommel fern, während die Winde unter Strom steht.

GEFAHR

Bei Nichtbeachtung dieser Warnhinweise kann es zu Verletzungen und/oder Sachschäden kommen.

Tragen Sie immer Handschuhe, um Ihre Hände zu schützen, wenn Sie mit Seilen jeglicher Art arbeiten. Lassen Sie das Seil niemals durch Ihre Hände gleiten.

Verbinden Sie das Seil **NIEMALS** mit sich selbst.

Verwenden Sie Blöcke oder Keile für die Rädern des Fahrzeugs bzw. der Ausrüstung, wenn Sie sich an einer Neigung befinden.

Änderungen, Umbauten oder Abweichungen an der Winde sind vom Hersteller nicht genehmigt und dürfen **NICHT** vorgenommen werden. In diesem Fall erlischt jegliche Garantie.

Der Zugvorgang sollte so kurz wie möglich gehalten werden. Wenn sich der Motor zu heiß anfühlt, unterbrechen Sie den Vorgang unverzüglich und lassen Sie den Motor für ca. 8 Minuten abkühlen. Verwenden Sie die Winde nicht länger als zwei Minuten bei maximaler Zugkraft, ohne eine Pause von 8 Minuten einzulegen.

⚠ GEFAHR

NICHTweiterarbeiten, wenn der Motor blockiert. Elektrische Winden sind für die periodische Verwendung vorgesehen.

Die Freilaufkupplung darf **NIEMALS** losgelassen werden, wenn eine Last auf der Winde liegt, da die Last sonst rückwärts rollt.

Verwenden Sie den Handsicherungshaken, wenn Sie mit dem Haken hantieren, um das Drahtseil auf- oder abzuwickeln.

💬 HINWEIS

Die Winde und alle mit ihr verwandten Gerätetypen haben eine bestimmte Nennkapazität, wenn die erste Seillage auf die Trommel gewickelt wird. Eine Überlastung kann die Winde, den Motor oder das Seil beschädigen.

Bei Lasten über 70 % der Nennzugkraft empfehlen wir die Verwendung eines Flaschenzuges / einer Umlenkrolle, um die Zugkraft des Drahtseils zu verdoppeln und die Belastung zu verringern. Dies ist in zweierlei Hinsicht hilfreich:

Zum einen wird die Anzahl der Seillagen auf der Trommel reduziert und zum anderen wird die Belastung des Drahtseils um bis zu 50 % verringert. Wenn Sie das Seil zurück zum Fahrzeug verdoppeln, befestigen Sie dieses am Rahmen oder einem anderen tragenden Bauteil.

💬 HINWEIS

Der Fahrzeugmotor muss während des Betriebs der Winde weiterlaufen, um den Batterieverbrauch zu minimieren und die Leistung und Geschwindigkeit der Winde zu maximieren. Sollte die Winde für lange Zeit bei abgeschaltetem Motor verwendet werden, kann sich die Batterie entladen und schließlich zu schwach werden, um den Motor wieder zu starten. Stellen Sie in diesem Fall den Vorgang sofort ein, geben Sie dem Fahrzeug Starthilfe und laden Sie die Batterie wieder auf.

💬 HINWEIS

Machen Sie sich mit Ihrer Winde vertraut, bevor Sie sie benutzen. Wir empfehlen ein paar Testläufe, um sich mit dem Auflegen des Seils, den Geräuschen der Winde unter verschiedenen Lasten und der Weise vertraut zu machen, wie das Seil auf die Trommel gewickelt wird usw.

Untersuchen Sie das Seil und die Ausrüstung vor jeder Inbetriebnahme sorgfältig. Ein ausgefranztes oder beschädigtes Seil muss sofort ausgetauscht werden. Verwenden Sie nur identische Ersatzseile des Herstellers mit den richtigen Spezifikationen. (Seile fallen nicht unter die angebotene Garantie)

Überprüfen Sie die Installation der Winde und die Schrauben, um sicherzustellen, dass alle Schrauben vor jedem Einsatz fest angezogen sind.

💬 HINWEIS

Bewahren Sie das Fernbedienungskabel in Ihrem Fahrzeug oder an einem sicheren Ort auf.

Verbinden Sie das Windenseil **NIEMALS** mit sich selbst. Dies führt zur Beschädigung des Seils. Verwenden Sie immer eine einen Flaschenzug, eine Umlenkrolle, eine Schlinge oder eine Kette von geeigneter Stärke, wie in den Abbildungen dargestellt.

💬 HINWEIS

Jede Winde, die auf irgendeine Weise beschädigt scheint, abgenutzt ist oder nicht normal funktioniert, **MUSS** umgehend außer Betrieb gestellt werden, bis sie repariert, ausgetauscht oder überholt werden kann. Es wird empfohlen, die notwendigen Reparaturen **NUR** von einer vom Hersteller autorisierten Reparaturwerkstatt durchführen zu lassen.

💬 HINWEIS

Ziehen Sie nur an den Fahrzeugteilen, die vom Fahrzeughersteller spezifiziert wurden.

- Es dürfen nur vom Hersteller bereitgestellte Zubehörteile, Befestigungen und/oder Adapter verwendet werden.

⚠ VORSICHT

Bei der Verwendung des Werkzeugs sollten immer grundlegende Sicherheitsvorkehrungen befolgt werden, um das Risiko von Personen- und Sachschäden zu verringern. Lesen Sie alle diese Anweisungen, bevor Sie dieses Werkzeug verwenden!

⚠ WARNUNG

Halten Sie Kinder fern. Kinder dürfen sich niemals im Arbeitsbereich aufhalten. Lassen Sie sie nicht mit Maschinen, Werkzeugen oder Verlängerungskabeln umgehen oder dieses Werkzeug bedienen.

⚠ WARNUNG

Leerlaufausrüstung lagern. Bei Nichtgebrauch müssen die Werkzeuge an einem trockenen Ort gelagert werden, um Rost zu verhindern. Werkzeuge immer verschließen und außerhalb der Reichweite von Kindern aufbewahren.

⚠ VORSICHT

Zieh dich richtig an. Tragen Sie keine lose Kleidung oder Schmuck, da sie sich in beweglichen Teilen verfangen können. Schutzkleidung, elektrisch nicht leitende Kleidung und rutschfeste Schuhe werden bei der Arbeit empfohlen. Tragen Sie eine einschränkende Haarbedeckung, um langes Haar zu enthalten.

⚠️ WARNUNG

Augen- und Gehörschutz benutzen. Tragen Sie immer eine Aufprallschutzbrille. Tragen Sie einen Vollgesichtsschutz, wenn Sie Metallspäne oder Holzspäne herstellen. Tragen Sie eine Staubmaske oder eine Atemschutzmaske, wenn Sie in der Nähe von Metall, Holz, chemischen Stäuben und Nebeln arbeiten.

⚠️ VORSICHT

Pflegen Sie diese Winde mit Sorgfalt. Halten Sie dieses Werkzeug trocken und sauber für eine bessere und sicherere Leistung. Befolgen Sie die Anweisungen zum Schmieren und Wechseln von Zubehör. Überprüfen Sie das Seil der Winde regelmäßig und lassen Sie es bei Beschädigung sofort von einem autorisierten Techniker austauschen. Die Griffe müssen sauber, trocken und immer frei von Öl und Fett gehalten werden.

Trennen Sie den Fernschalter oder ziehen Sie ihn aus der Steckdose, wenn er nicht verwendet wird.

⚠️ GEFAHR

Bleiben Sie wachsam, beobachten Sie, was Sie tun, verwenden Sie den gesunden Menschenverstand. Betreiben Sie kein Werkzeug, wenn Sie müde sind.

⚠️ WARNUNG

Auf beschädigte Teile prüfen. Vor der Verwendung dieser Winde sollten alle Teile, die verschlissen oder beschädigt erscheinen, sorgfältig überprüft werden, um festzustellen, ob sie ordnungsgemäß funktionieren und ihre bestimmungsgemäße Funktion erfüllen. Überprüfen Sie auf Beschädigungen, einschließlich Ausrichtungen, Bindung beweglicher Teile; Montagevorrichtungen. Beschädigte Teile sollten von einer qualifizierten Person ordnungsgemäß repariert oder ersetzt werden. Verwenden Sie das Werkzeug nicht, wenn ein Schalter nicht richtig „Ein“ und „Aus“ schaltet.

⚠️ WARNUNG

Ersatzteile und Zubehör. Verwenden Sie bei der Reparatur oder Wartung nur identische Ersatzteile. Die Verwendung anderer Teile führt zum Erlöschen der Garantie.

⚠️ WARNUNG

Betreiben Sie das Gerät nicht, wenn es unter dem Einfluss von Alkohol oder Drogen steht. Lesen Sie die Warnschilder auf der Verschreibung, um festzustellen, ob Ihr Urteilsvermögen oder Ihre Reflexe während der Einnahme von Medikamenten beeinträchtigt sind. Im Zweifelsfall darf das Werkzeug nicht bedient werden.

⚠️ GEFAHR

Halten Sie Hände und Körper während des Betriebs von Fairlead (Kabeleinlassschlitz) fern.

Sichern Sie das Fahrzeug immer in Position, bevor Sie die Winde benutzen.

⚠️ WARNUNG

Stellen Sie sicher, dass die Winde ordnungsgemäß mit einer Struktur (oder einem Fahrzeug) verschraubt ist, die die maximale Nennlast der Winden halten kann.

Verwenden Sie keine ungeeigneten Befestigungen, um die Länge des Windenkabels zu verlängern.

⚠️ GEFAHR

Niemals Personen heben oder Lasten über Personen heben oder lebende Tiere heben.

Während des Betriebs niemals zwischen die Winde und die Last treten.

⚠️ WARNUNG

Wenden Sie keine Lasten auf die Winde an, wenn das Kabel vollständig über die Sicherheitsmarkierung hinaus ausgezogen ist. Halten Sie mindestens 5 volle Kabelwicklungen auf der Spule (normalerweise rot markiert auf dem Windenkabel am Trommelende).

Nachdem Sie ein Gerät mit der Winde bewegt haben, sichern Sie das Gerät an Ort und Stelle. Verlassen Sie sich nicht darauf, dass die Winde über einen längeren Zeitraum oder während des Transports gehalten wird. Winden sind keine Sicherungsvorrichtung. Auf diese Weise erlischt jede Garantie

⚠️ VORSICHT

Überprüfen Sie die Winde, bevor Sie sie verwenden. Komponenten können durch Chemikalien, Salze und Rost beeinträchtigt werden.

Unter Last darf das Windenseil nicht über- oder unterquert werden.

Verwenden Sie beim Umgang mit Kabeln Handschuhe.

⚠️ WARNUNG

Betreiben Sie die Winde niemals, wenn das Kabel Anzeichen einer Schwächung wie Knoten oder Knicken aufweist. Wenn dies der Fall ist, müssen Sie sie sofort ersetzen.

⚠️ GEFAHR

Bewegen Sie Ihr Fahrzeug nicht, wenn das Kabel ausgezogen und an der Last befestigt ist. Sie könnten leicht die Windenleistung überschreiten und das Kabel reißen.

Wenn das Fahrzeug an einer Steigung geparkt ist, sollten Sie Unterlegkeile verwenden.

⚠ VORSICHT

Wickeln Sie das Kabel nach jeder Operation immer ordentlich auf, um eine Fehlausrichtung des Windenkabels für den nächsten Gebrauch zu vermeiden

⚠ VORSICHT

Das Windenseil muss unter einer Belastung von mindestens 10 % des Nennzuges auf die Trommel aufgewickelt werden, sonst ziehen sich die äußeren Windungen in innere Windungen und beschädigen das Windenseil.

Bevor Sie die Winde unter Last betreiben, sollten Sie die ordnungsgemäße Funktion der Winde überprüfen, indem Sie die Kupplung ein- und auskuppeln, die Richtungssteuerungen betätigen und die Geschwindigkeitssteuerungen betätigen. Dies stellt sicher, dass die Winde ordnungsgemäß funktioniert und hilft, unbeabsichtigte Schäden und Verletzungen zu vermeiden. Das Radfahren der Winde vor dem Beladen stellt auch sicher, dass die Zahnräder richtig ausgerichtet sind.

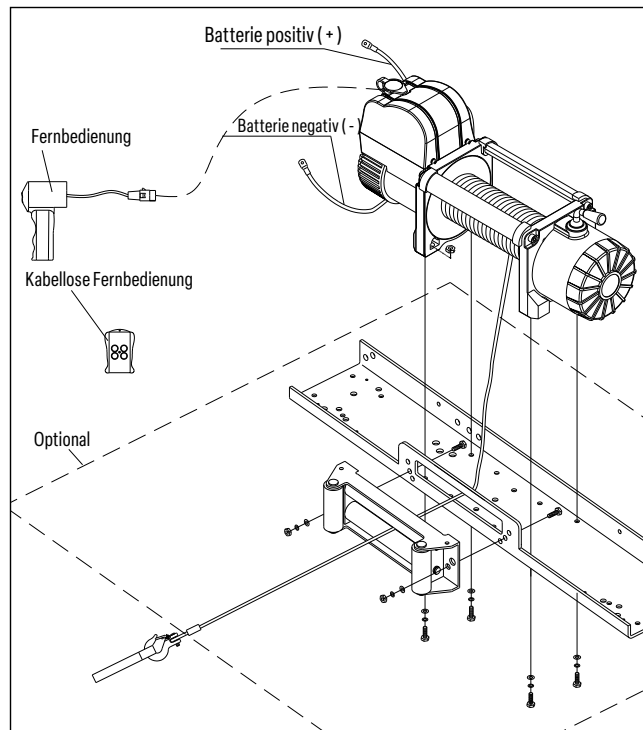
⚠ VORSICHT

Batterien enthalten brennbare und explosive Gase. Tragen Sie während der Installation einen Augenschutz und entfernen Sie jeglichen Schmuck. Lehnen Sie sich nicht über die Batterie, während Sie Verbindungen herstellen.

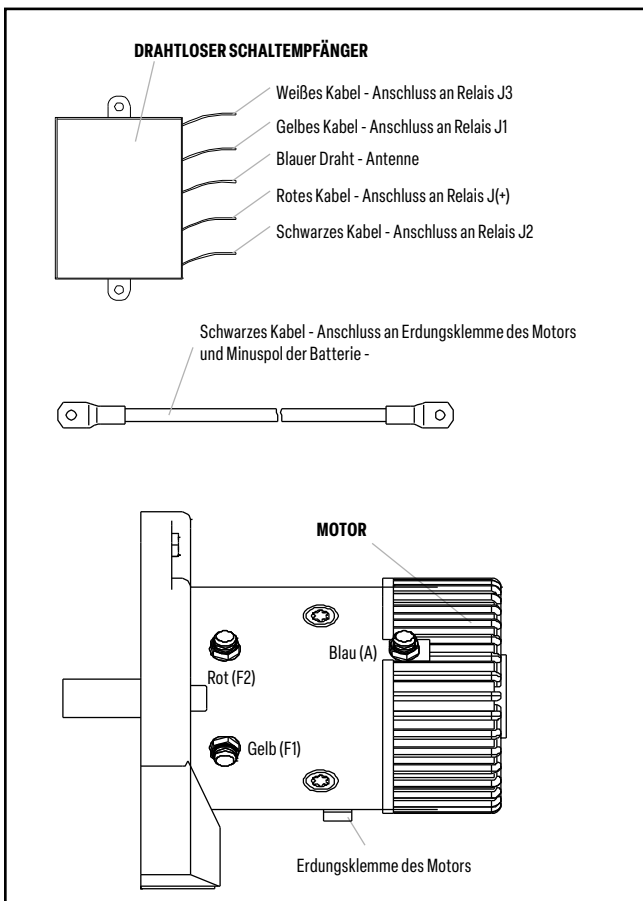
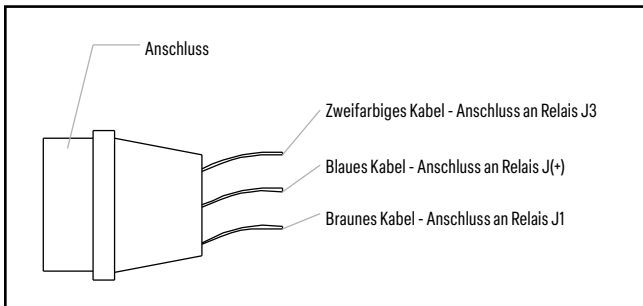
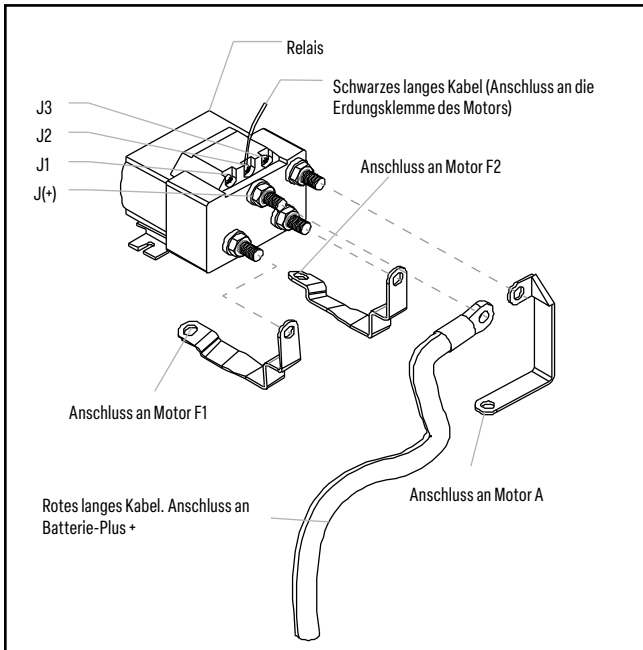
⚠ WARNING

Es wird dringend empfohlen, einen Batterietrennschalter zu installieren, um das Fahrzeug, die Ausrüstung und den Benutzer vor gefährlichen Situationen zu schützen; falls ein solcher nicht mitgeliefert wird, wird empfohlen, einen solchen zu kaufen und vor dem Betrieb der Winde zu installieren.

Die Nichtinstallation eines Batterietrennschalters oder einer Sicherheitsabschaltung kann zu Schäden am Fahrzeug, an der Ausrüstung und (oder) am Bediener führen und hat das Erlöschen jeglicher Garantie zur Folge.

MONTAGE UND BEFESTIGUNG DER WINDE

1. Ihre Winde hat ein Lochbild, das in dieser Windenklasse Standard ist. Es gibt viele Windenmontagesätze, die dieses Lochbild für die gängigsten Fahrzeuge und Montageschienen verwenden. Wenn Sie keinen Montagesatz vor Ort finden, wenden Sie sich bitte an uns. Wir können Ihnen den Namen eines Händlers in Ihrer Nähe geben. Wenn Sie die Montageschiene verwenden, müssen Sie sicherstellen, dass sie auf einer ebenen Fläche montiert wird, damit die drei Hauptteile (Motor, Trommel und Getriebegehäuse) richtig ausgerichtet sind. Die korrekte Ausrichtung der Winde sorgt für eine gleichmäßige Verteilung der vollen Nennzugkraft und verringert das Risiko einer Beschädigung der Winde bzw. der Ausrüstung. Eine mangelhafte Installation der Winde trägt zu ca. 90 % aller Beschädigung der Ausrüstung bei.
2. Verbinden Sie zunächst das Rollenseifenster mit der Montageschiene, indem Sie je 2 Zylinderschrauben M10 x 35, Unterlegscheiben und Sicherungsscheiben anbringen und mit einer M10-Mutter sichern (stellen Sie sicher, dass die Schraube von innen durch die Montageschiene und das Rollenseifenster geführt wird). So bleibt genügend Spielraum, um die Winde ungehindert in der Schiene zu platzieren).
3. Montieren Sie die Winde an der (optionalen) Montageschiene, indem Sie zuerst den Kupplungsknopf ziehen und dann in der Position „Out“ loslassen (Freilauf). Ziehen Sie einige Zentimeter des Kabels aus der Trommel und führen Sie die Drahtschleife durch die Öffnung an der Vorderseite der Montageschiene und des Rollenseifensters. Befestigen Sie nun die Winde mit den verbleibenden M10 x 35 Zylinderschrauben, Unterlegscheiben, Sicherungsscheiben und M10-Muttern an der Montageschiene.
4. Schließen Sie die Batterie- und Motorkabel wie in der Zeichnung oben dargestellt an. Denken Sie daran, dass jeder Windentyp anders ist.
5. Schließen Sie den Windenmotor wie unten beschrieben an



6. Befestigen Sie den Gabelkopfhaken am Seil. Nehmen Sie den Stift aus dem Gabelkopfhaken. Verbinden Sie den Haken mit dem Seil und bringen Sie den Stift wieder am Gabelkopfhaken an.
7. Verwenden Sie beim freien Auf- und Abwickeln des Drahtseils immer den Handsicherungshaken (optional). Der Handsicherungshaken hält Ihre Hände und Finger von der rotierenden Trommel fern.
8. Prüfen Sie, ob sich die Trommel richtig dreht. Ziehen oder drehen Sie den Kupplungsknopf in die Stellung „OUT“ „Auskuppeln“, (Freilauf). Ziehen Sie das Kabel aus der Trommel und drehen Sie dann den Kupplungsknopf in die Position „IN“ „Einkuppeln“, um die Gänge einzulegen. Drücken Sie die Seilausgabetaste an der Fernbedienung. Wenn sich die Trommel dreht und das Seil freigibt, sind Ihre Anschlüsse korrekt. Wenn sich die Trommel dreht und das Seil erfasst, kehren Sie die Anschlüsse um. Wiederholen Sie den Vorgang und überprüfen Sie die Rotation.

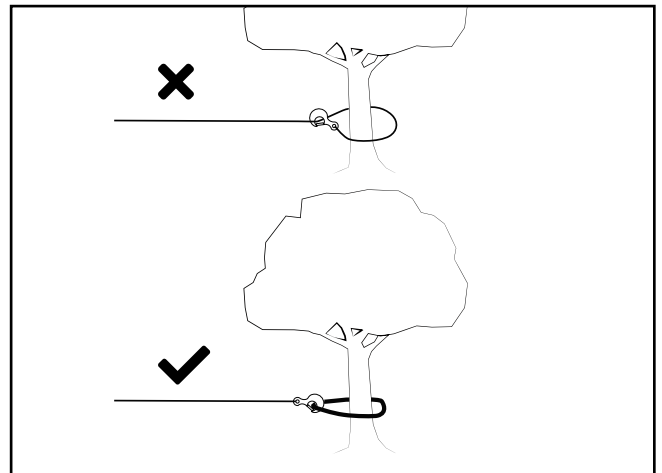
FIXIERUNG DES SEILS

Finden Sie eine passende Befestigung, z. B. einen ausreichend starken Baumstamm oder Felsbrocken.

Verwenden Sie **IMMER** eine Schlinge oder einen Gurt als Anschlagpunkt an einem Gegenstand. Verwenden Sie niemals das Seil oder den Haken als Anschlagpunkt.

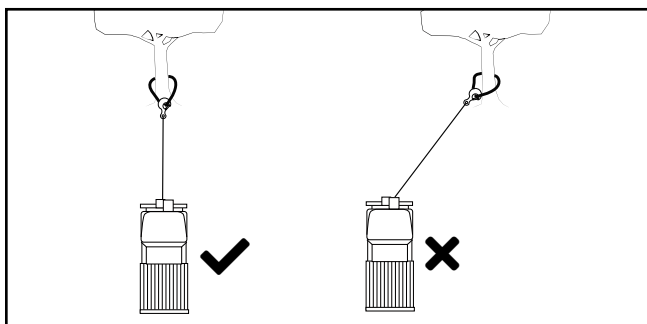
⚠ VORSICHT

Befestigen Sie den Gabelkopfhaken **NIEMALS** am Windenseil, da dies zur Beschädigung des Seils führen kann.



⚠ VORSICHT

Benutzen Sie die Winde nicht in einem spitzen Winkel, da sich dadurch das Seil auf der einen Seite der Trommel stapelt, wodurch das Seil und die Winde beschädigt werden können.



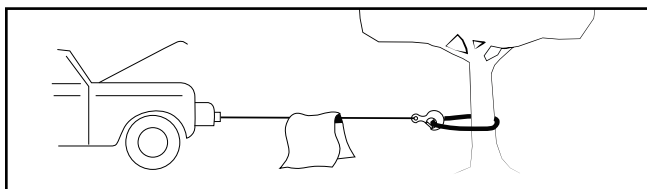
HINWEIS

Es können kurze Züge in einem Winkel verwendet werden, um das Fahrzeug/die Ausrüstung gerade auszurichten. Lange Züge sollten mit dem Seil in einer geraden Linie zur Winde/zum Fahrzeug ausgeführt werden (siehe Abbildung oben).

VORSICHT

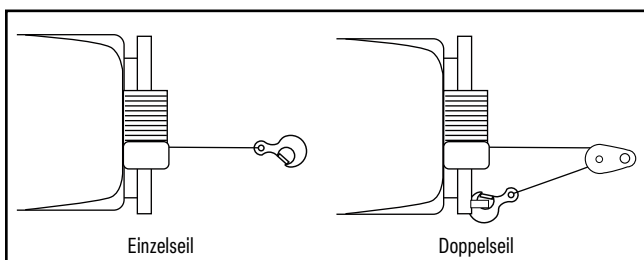
Wenn Sie eine schwere Last ziehen, legen Sie eine Decke oder eine Jacke über das Drahtseil, etwa einen Meter vom Haken entfernt, da dies im Falle eines Kabelbruchs die einwirkende Kraft dämpft.

Für zusätzlichen Schutz öffnen Sie die Motorhaube des Fahrzeugs wie in der Abbildung dargestellt.



HINWEIS

Bei Lasten über 70 % der Nennzugkraft empfehlen wir die Verwendung einer Flaschenzuges / einer Umlenkrolle, um die Zugkraft des Drahtseils zu verdoppeln. Dadurch wird die Winde entlastet und das Seil geschont.



GEFAHR

Verwenden Sie Ihre Winde niemals zum Heben oder Transportieren von Personen oder zum Transportieren von lebenden Tieren.



WINDENEINSATZ SCHRITT FÜR SCHRITT

- Nehmen Sie sich Zeit, um Ihre Situation zu beurteilen und den Einsatz der Winde zu planen.
- Ziehen Sie Handschuhe an, um Ihre Hände zu schützen.
- Lösen Sie die Kupplung nach Möglichkeit, um ein freies Abwickeln zu ermöglichen und die Batterie zu schonen.
- (Falls mitgeliefert) Befestigen Sie den Handsicherheitshaken am Gabelkopfhaken.
- Ziehen Sie das Drahtseil sicher zu Ihrem gewünschten Befestigungspunkt.
- Befestigen Sie den Gabelkopfhaken am Befestigungspunkt: Schlinge, Kette oder Umlenkrolle. Befestigen Sie den Haken nicht wieder am Drahtseil.
- Legen Sie die Kupplung ein.
- Schließen Sie das Kabel der Fernbedienung an die Winde an.
- Starten Sie den Motor, um sicherzustellen, dass die Fahrzeugbatterie mit Strom versorgt wird.
- Ziehen Sie das Drahtseil ein und bringen Sie das Seil auf Spannung, um des zu straffen. Halten Sie Abstand, sobald das Seil unter Spannung steht. Niemals über das gespannte Drahtseil steigen oder darauf stehen.
- Überprüfen Sie nochmals die Befestigungen und stellen Sie sicher, dass alle Verbindungen sicher sind.
- Überprüfen Sie das Drahtseil. Überprüfen Sie das Seil. Stellen Sie sicher, dass sich wenigstens 5 Seillagen auf der Windentrommel befinden! (normalerweise rot markiert).
- Drapieren Sie eine Decke oder ein Segel (separat erhältlich) über das Drahtseil etwa 5 bis 6 Fuß vom Haken entfernt. Für zusätzlichen Schutz können Sie die Motorhaube des Fahrzeugs öffnen.
- Räumen Sie den Bereich. Stellen Sie sicher, dass sich eventuelle Zuschauer in sicherer Entfernung befinden und dass sich niemand direkt vor oder hinter dem Fahrzeug oder dem Befestigungspunkt aufhält.
- Starten Sie die Seilwinde. Stellen Sie sicher, dass sich das Seil gleichmäßig und stramm um die Trommel windet. Das Fahrzeug, auf dem die Seilwinde montiert ist, kann langsam mitfahren, um den Vorgang zu unterstützen. Vermeiden Sie Schocklasten und halten Sie das Seil immer unter Spannung.
- Beim Fahrzeug, das gezogen wird, sollte die Handbremse gelöst sein. Der Gang sollte sich im Leerlauf befinden. Lassen Sie das Bremspedal los,

wenn das Seil unter voller Spannung steht. Vermeiden Sie Schocklasten. Diese können die Winde, das Seil und das Fahrzeug beschädigen.

q. Die Winde ist für die periodische Verwendung vorgesehen. Unter voller Last mit Einzelseil sollte die Winde nicht länger als acht Minuten laufen. Dann den Motor für einige Minuten abkühlen lassen, bevor die Winde wieder verwendet wird.

r. Der Windvorgang ist beendet, sobald das Fahrzeug sich auf sicherem Grund befindet und mit eigenem Antrieb gefahren werden kann.

s. Sichern Sie das Fahrzeug. Stellen Sie sicher, dass die Bremsen angezogen sind, und legen Sie einen Gang ein (Stellung Parken).

t. Lösen Sie die Spannung auf das Seil. Die Winde ist NICHT als Sicherungsvorrichtung vorgesehen und darf NIEMALS verwendet werden, um eine Last während des Transports zu halten oder zu sichern; das Seil der Winde MUSS von der Befestigung gelöst werden, wenn die Ausrüstung oder das Fahrzeug gesichert ist. Andernfalls können die Bremse und die Winde beschädigt werden. In diesem Fall erlischt die Garantie.

u. Trennen Sie das Drahtseil von der Befestigung. Lassen Sie es NIEMALS angeschlossen.

v. Wickeln Sie das Drahtseil wieder auf. Stellen Sie sicher, dass jegliches schon auf der Trommel befindliche Seil stramm und ordentlich aufgewickelt ist. Wenn nicht, ziehen Sie das Seil wieder aus und wickeln Sie es wieder von dem Punkt auf, an dem das Seil stramm ist.

w. Halten Sie Ihre Hände von der Windentrommel und der Umlenkrolle fern, während das Drahtseil eingezogen wird.

x. Sichern Sie den Haken und das Hakenband.

y. Ziehen Sie das Fernbedienungskabel ab und bewahren Sie die Fernbedienung an einem sauberen, trockenen Ort auf.

z. Reinigen und überprüfen Sie die Verbindungen und Befestigungselemente für den nächsten Einsatz der Winde.

WARTUNG

1. Überprüfen Sie regelmäßig den festen Sitz der Befestigungsschrauben und der elektrischen Anschlüsse. Entfernen Sie jeglichen Schmutz oder Korrosion und halten Sie das Gerät stets sauber.
2. Versuchen Sie nicht, das Getriebe zu demontieren. Reparaturen sollten vom Hersteller oder einem autorisierten Reparaturzentrum durchgeführt werden.
3. Das Getriebe wurde mit einem Hochtemperatur-Lithium-Schmiermittel geschmiert und ist werkseitig versiegelt. Es ist keine interne Schmierung erforderlich.

AUSWECHSELN DES DRAHTSEILS

Wenn das Drahtseil abgenutzt oder ausfranst ist, muss es vor der erneuten Verwendung ausgewechselt werden.

1. Bringen Sie die Kupplung in die Position „CLUTCH OUT“ (Auskuppeln).
2. Ziehen Sie das Seileinheit auf seine volle Länge aus. Sie können nun sehen, wie das vorhandene Seil mit der Trommel verbunden ist.
3. Entfernen Sie das alte Seil und bringen Sie das neue Seil auf dieselbe Weise an der Trommel an. Setzen Sie das Ende des neuen Seils ein und befestigen Sie es mit der Schraube M8x10.

4. Vergewissern Sie sich, dass das neue Seil in dieselbe Rotationsrichtung aufgewickelt wird wie das alte Seil. Das Seil sollte die Trommel von der Unterseite verlassen. (unter der Trommel).
5. Bringen Sie die Kupplung in die Position „CLUTCH IN“ (Einkuppeln).
6. Wickeln Sie das Seil auf die Trommel. Zuerst fünf Lagen, wobei Sie sorgfältig darauf achten müssen, dass das Seil nicht geknickt wird. Dann muss das Seil unter einer Last von mindestens 10% der Nennzugkraft auf die Trommel gewickelt werden.

WARNUNG

Tauschen Sie das Seil nur gegen die vom Hersteller empfohlenen identischen Ersatzteile aus. Stahl- und Kunststoffseile sind NICHT von der Garantie abgedeckt. Es liegt in der alleinigen Verantwortung des Besitzers bzw. Benutzers, sie zu warten und gegebenenfalls zu ersetzen.

FEHLERSUCHE

Problem	Ursache	Lösung
Motor lässt sich nicht einschalten	Fernbedienung ist nicht korrekt angeschlossen	Prüfen Sie das Fernbedienungskabel und die Anschlüsse.
	Lose Verbindungen der Batteriekabel	Prüfen Sie die Batterie und die Anschlüsse.
	Defekte Fernbedienung	Tauschen Sie die Fernbedienung aus.
	Defekter Motor	Armaturen mit gedrücktem Schalter auf Spannung überprüfen. Wenn keine Spannung vorhanden ist, den Motor austauschen.
	Wasser ist in den Motor eingedrungen.	Lassen Sie das Wasser ablaufen und warten Sie, bis der Motor trocken ist. Lassen Sie die Winde laufen, bis sie trocken ist.
Motor läuft, aber Trommel dreht sich nicht.	Kupplung nicht eingelegt	Schalten Sie die Kupplung in die Position „In“ (Einkuppeln). Wenn das Problem weiter besteht, muss ein qualifizierter Techniker das Gerät überprüfen und reparieren.
Motor läuft langsam oder ohne normale Leistung	Unzureichender Strom oder Spannung	Betreiben Sie die Winde bei laufendem Motor
Motor überhitzt	Die Winde wurde zu lange benutzt	Lassen Sie die Winde regelmäßig abkühlen.
Motor läuft nur in eine Richtung	Lose oder korrodierte Batteriekabel- oder Motorkabelverbindungen.	- Reinigen und festziehen. -Reparieren oder ersetzen Sie die Schaltereinheit.
Fehlfunktion der Windenbremse	Kabel läuft in die falsche Richtung	Stellen Sie die Arbeitsrichtung des Kabels ein
	Bremsbelag verschlissen oder defekt	Stellen Sie den Bremswinkel ein oder neue Bremsbeläge einsetzen

GARANTIE*

BPE Limited ist der alleinige Vertriebspartner von WARRIOR-WINDEN.

BPE Limited („Verkäufer“ oder BPE Limited) garantiert dem ursprünglichen Einzelhandelskäufer („Käufer“), dass alle mechanischen Komponenten einer echten WARRIOR-WINDE („Produkt“) während der Lebensdauer der Winde frei von Material- und Verarbeitungsfehlern sind.

Die elektrischen Komponenten (einschließlich Motor, Schütz und Schalter) sind für einen Zeitraum von (3) drei Jahren (36 Monaten) ab dem ursprünglichen, nachweisbaren Kaufdatum frei von Material- und Verarbeitungsfehlern.

Jedes Produkt, das von BPE Limited als fehlerhaft eingestuft wird, wird nach eigenem Ermessen von BPE Limited repariert oder ersetzt, ohne dass dem Käufer Kosten entstehen, wenn der Käufer dieses Verfahren einhält. Der Verkäufer oder sein bevollmächtigter Vertreter kann angemessene Kosten für Teile und Arbeit für Reparaturen verlangen, die nicht durch diese lebenslange beschränkte Garantie abgedeckt sind. Die hier dargelegten Garantien sind ausschließlich und anstelle aller anderen Garantien, ob mündlich oder schriftlich, ausdrücklich oder stillschweigend.

Wenn Ihr Produkt innerhalb der Garantiezeit defekt wird:

Um einen Service oder eine Reparatur im Rahmen dieser Garantie in Anspruch zu nehmen, muss der Käufer auf seine Kosten (1) das Produkt, (2) eine schriftliche Beschreibung des Problems, (3) den Namen, die Adresse und die Telefonnummer des Käufers, (4) eine Kopie des Originalkaufbelegs per Post oder auf andere Weise an die Adresse des Herstellers senden; BPE Limited kann auch eine geeignete Abholmethode arrangieren (dabei fallen Gebühren an).

Garantieausschlüsse

Die Garantie deckt nicht die Arbeitskosten oder die Transport-/Versandkosten für den Austausch oder die Installation des/der defekten Teils/Teile ab.

Diese Garantie gilt nicht für Defekte des Produkts, die durch; (1) normale Abnutzung, (2) Nichteinhaltung von Installations- und Wartungsvorschriften oder Beanspruchung des Produkts über die im Benutzerhandbuch oder auf der Website des Verkäufers angegebenen Werte hinaus, (3) Änderungen oder Modifikationen durch andere Parteien als den Hersteller, (4) unsachgemäße Verwendung, Missbrauch, Vernachlässigung, Unfälle, höhere Gewalt, Terrorismus oder (5) nicht ordnungsgemäße Verwendung des Produkts gemäß, die nicht den im Benutzerhandbuch enthaltenen Anleitungen entspricht, (7) andere Ursachen, die außerhalb der Kontrolle des Verkäufers liegen, nachdem das Produkt an den autorisierten Vertreter des Verkäufers geliefert wurde.

Weitere Ausschlüsse

Diese Garantie erstreckt sich nicht auf Stahlseile, Kunststoffseile, Seilfenster, drahtlose Fernbedienungen oder äußere Beschichtungen nach einem Zeitraum von dreißig (30) Tagen nach dem Kaufdatum.

BPE Limited ist nicht für indirekte Schäden oder Folgeschäden verantwortlich oder haftbar. Bei derartigen Folgeschäden kann es sich unter anderem um entgangene Gewinne, Nutzungsausfall, Ausfallzeiten oder Schäden an der Ausrüstung anderer Personen handeln.

BPE Limited behält sich das Recht vor, das Produktdesign ohne vorherige Ankündigung zu ändern. BPE Limited behält sich das Recht vor, Teile oder das gesamte Gerät durch ein neueres Modell mit der gleichen Funktion zu ersetzen.

SPEZIFIKATIONEN S8000

Nennzugkraft	8000 lbs (3628kg)	
Getriebeuntersetzung	196:1	
Motor	12V:Input: 4.3Kw/ 5.8hp Output: 2.0kW/ 2.7hp 24V:Input: 5.5Kw/ 7.4hp Output: 2.8kW/ 3.8hp	
Gesamtabmessungen	559 mm ×160mm ×248mm (22"×6.3"×9.8")	
Trommelgröße	Ø63mm×223 mm (Ø2.48 "×8.8 ")	
Kabel	Kunstfaserseil	Drahtseil
	Ø8mm × 25m (Ø0.31" × 82 ')	Ø8.3mm × 29m (Ø0.32" × 95 ')
Nettogewicht	Kunstfaserseil	Drahtseil
	28kg (61.7 lbs)	39kg (85.9 lbs)

Zug, Geschwindigkeit, Ampere, Volt (erste Lage):

Zugkraft	Seilgeschwindigkeit ft/min (m/min)	Strom A
lbs (kgs)	12V DC	12V DC
0	36(11.0)	50
2000 (900)	17.4(5.3)	125
4000 (1800)	13.1(4.0)	200
6000 (2721)	10.5(3.2)	260
8000 (3628)	8.2(2.5)	310

Seilzug und Seilkapazität in Lagen

Lage	Nennzugkraft in lbs (kg)	Gesamtseil auf der Trommel ft (m)
1	8000 (3628)	21.3 (6.5)
2	6620 (3000)	46.9 (14.3)
3	5650 (2562)	77.1 (23.5)
4	4920 (2230)	95.1 (29)

SPEZIFIKATIONEN S9500SD

Nennzugkraft	9500 lbs (4309kg)	
Getriebeuntersetzung	196:1	
Motor	12V:Input: 4.6Kw / 6.1hp Output: 2.1kW / 2.8hp 24V:Input: 5.8Kw / 7.8hp Output: 2.8kW / 3.8hp	
Gesamtabmessungen	456 mm ×160mm ×248mm (18"×6.3"×9.8")	
Trommelgröße	Ø63mm×120 mm (Ø2.48 "×4.7 ")	
Kabel	Kunstfaserseil	Drahtseil
	Ø9.5mm×15m (Ø0.37"×49.2 ')	Ø9.2mm×14m (Ø0.36"×45.9 ')
Nettogewicht	Kunstfaserseil	Drahtseil
	27kg (59.5 lbs)	32kg (70.5 lbs)

Zug, Geschwindigkeit, Ampere, Volt (erste Lage):

Zugkraft	Seilgeschwindigkeit ft/min (m/min)	Strom A
lbs (kgs)	12V DC	12V DC
0	36 (11.0)	50
2000 (900)	17.4 (5.3)	120
3000 (1360)	15.4 (4.7)	150
6000 (2721)	10.5 (3.2)	260
8000 (3628)	8.2 (2.5)	300
9500 (4309)	6.5 (2.0)	355

DE

Seilzug und Seilkapazität in Lagen

Lage	Nennzugkraft in lbs (kg)	Gesamtseil auf der Trommel ft (m)
1	9500 (4309)	9.8(3.0)
2	7600 (3447)	24.6 (7.5)
3	6200 (2812)	42.7(13.0)
4	5400 (2449)	45.9 (14.0)

SPEZIFIKATIONEN S9500

Nennzugkraft	9500 lbs (4309kg)	
Getriebeuntersetzung	196:1	
Motor	12V:Input: 4.6Kw / 6.1hp Output: 2.1kW / 2.8hp 24V:Input: 5.8Kw / 7.8hp Output: 2.8kW / 3.8hp	
Gesamtabmessungen	559 mm ×160mm ×248mm (22"×6.3"×9.8")	
Trommelgröße	Ø63mm×223 mm (Ø2.48 "×8.8 ")	
Kabel	Kunstfaserseil	Drahtseil
	Ø9.5mm×25m (Ø0.37"×82')	Ø9.2mm×26m (Ø0.36"×85.3')
Nettogewicht	Kunstfaserseil	Drahtseil
	30kg (66.1 lbs)	40kg (88.1 lbs)

Zug, Geschwindigkeit, Ampere, Volt (erste Lage):

Zugkraft	Seilgeschwindigkeit ft/min (m/min)	Strom A
lbs (kgs)	12V DC	12V DC
0	36 (11.0)	50
2000 (900)	17.4 (5.3)	120
3000 (1360)	15.4 (4.7)	150
6000 (2721)	10.5 (3.2)	260
8000 (3628)	8.2 (2.5)	300
9500 (4309)	6.5 (2.0)	355

Seilzug und Seilkapazität in Lagen

Lage	Nennzugkraft in lbs (kg)	Gesamtseil auf der Trommel ft (m)
1	9500 (4309)	18 (5.5)
2	7600 (3447)	39.4 (12)
3	6200 (2812)	64 (19.5)
4	5400 (2449)	85 (26.0)

SPEZIFIKATIONEN S12000

Nennzugkraft	12000 lbs (5443kg)	
Getriebeuntersetzung	253:1	
Motor	12V: Input: 5.0Kw / 6.7hp Output: 3.2hp / 2.4kW 24v: Input: 6.0Kw / 8.0hp Output: 4.2hp / 3.1kW	
Gesamtabmessungen	559 mm × 160mm × 248mm (22" × 6.3" × 9.8")	
Trommelgröße	Ø63mm × 223 mm (Ø2.48 " × 8.8 ")	
Kabel	Kunstfaserseil	Drahtseil
	Ø11mm × 25m (Ø0.43" × 82 ')	Ø10.2mm × 25.5m (Ø0.4" × 83.6 ')
Nettogewicht	Kunstfaserseil	Drahtseil
	32kg (70.5 lbs)	44kg (97 lbs)

Zug, Geschwindigkeit, Ampere, Volt (erste Lage):

Zugkraft	Seilgeschwindigkeit ft/min (m/min)		Strom A	
	lbs (kgs)	12V DC	24V DC	12V DC
0	27.9 (8.5)	36.1 (11.0)	45	30
6000 (2721)	11.5 (3.5)	12.1 (3.7)	200	130
8000 (3628)	8.2 (2.5)	10.5 (3.2)	240	180
10000 (4535)	5.9 (1.8)	8.9 (2.7)	300	220
12000 (5443)	4.6 (1.4)	7.9 (2.4)	370	250

DE

Seilzug und Seilkapazität in Lagen

Lage	Nennzugkraft in lbs (kg)	Gesamtseil auf der Trommel ft (m)
1	12000 (5443)	15.1 (4.6)
2	9533 (4324)	34.1 (10.4)
3	7907 (3586)	57.7 (17.6)
4	6755 (3064)	83.7 (25.5)

SPEZIFIKATIONEN S14500

Nennzugkraft	14500 lbs (6577kg)	
Getriebeuntersetzung	253:1	
Motor	12V:Input: 5.4Kw / 7.2hp Output: 2.7kW / 3.6hp 24V:Input: 6.2Kw / 8.3hp Output: 3.3kW / 4.4hp	
Gesamtabmessungen	593 mm ×160mm ×248mm (23.35"×6.3"×9.8")	
Trommelgröße	Ø63mm×223 mm (Ø2.48 "×8.8 ")	
Kabel	Kunstfaserseil	Drahtseil
	Ø11mm×25m (Ø0.43"×82 ')	Ø10.2mm×25.5m (Ø0.4"×83.6 ')
Nettogewicht	Kunstfaserseil	Drahtseil
	33kg (72.7 lbs)	43kg (94.7 lbs)

Zug, Geschwindigkeit, Ampere, Volt (erste Lage):

Zugkraft	Seilgeschwindigkeit ft/min (m/min)		Strom A	
	lbs (kgs)	12V DC	24V DC	12V DC
0	27.9 (8.5)	36.1 (11.0)	45	30
6000 (2721)	11.5 (3.5)	13.8 (4.2)	200	130
8000 (3628)	7.87 (2.4)	10.5 (3.2)	245	160
10000 (4535)	5.57 (1.7)	8.9 (2.7)	310	190
12000 (5443)	4.92 (1.5)	7.9 (2.4)	380	230
14500 (6577)	2.6 (0.8)	4.26 (1.3)	460	300

Seilzug und Seilkapazität in Lagen

Lage	Nennzugkraft in lbs (kg)	Gesamtseil auf der Trommel ft (m)
1	14500 (6577)	15.1 (4.6)
2	11519 (5224)	34.1 (10.4)
3	9556 (4334)	57.7 (17.6)
4	8163 (3702)	83.7 (25.5)

INTRODUCTION

Félicitations pour votre achat de treuil. Nous concevons et construisons des treuils selon des spécifications strictes. Avec une utilisation et un entretien appropriés, votre treuil devrait vous apporter des années de service satisfaisant.

Tout est mis en œuvre pour assurer l'exactitude et le caractère exhaustif des informations de ce manuel au moment de la publication. Nous nous réservons le droit de modifier, d'altérer et/ou d'améliorer le produit et ce document à tout moment, sans préavis.

DÉFINITIONS DE SÉCURITÉ

Le treuil peut développer des forces de traction considérables. S'il est utilisé de façon non sécuritaire ou inadéquate, il peut entraîner des dommages matériels, des blessures graves ou le décès. Tout au long de ce manuel, vous trouverez les symboles suivants pour les précautions, les avertissements et les dangers. Portez une attention particulière aux remarques précédées de ces symboles, car elles sont rédigées pour votre sécurité. Enfin, le fonctionnement sécurisé de ce dispositif repose sur vous, l'opérateur.

DANGER

DANGER indique une situation de danger qui, si elle ne peut être évitée, résultera en le décès ou des blessures graves.

AVERTISSEMENT

AVERTISSEMENT indique une situation de danger qui, si elle ne peut être évitée, pourrait résulter en le décès ou des blessures graves.

PRÉCAUTION

PRÉCAUTION indique une situation de danger qui, si elle ne peut être évitée, pourrait résulter en des blessures mineures ou modérées.

REMARQUE

REMARQUE indique des informations considérées comme importantes, mais non liées à un danger (par ex. des messages concernant des dégâts matériels).

CONNAÎTRE VOTRE TREUIL

Votre treuil est une pièce mécanique puissante. Il est important que vous compreniez les bases de son fonctionnement et ses spécifications afin que son utilisation se fasse en toute confiance et sécurité. Vous trouverez ci-dessous les composants de votre treuil et leurs utilisations.

1. Ce treuil est conçu pour offrir une ligne de traction maximale avec seulement une couche de câble enroulé sur le tambour de treuil (la première couche).
2. Moteur : Le moteur est alimenté par une batterie de 12/24 volts et fournit de l'énergie à l'ensemble d'engrenages qui fait tourner le tambour et enroule le câble métallique dans un sens.
3. Tambour de treuil : Le tambour de treuil est le cylindre sur lequel le câble métallique est rangé. Il est être enroulé en mode In (entrée) ou Out (sortie) en utilisant la télécommande du câble.
4. Câble métallique : Votre treuil possède un câble aérien galvanisé ou un câble synthétique conçu spécifiquement pour la capacité de charge de la traction nominale de la ligne de ce treuil. Le câble métallique s'introduit par le dessous du tambour à travers le guide-câble fourni. Il présente une boucle à l'extrémité pour accepter le crochet de la chape.
5. Guide-câble(Fourni sur certains modèles) : Quand vous utilisez ce treuil à un angle, le guide-câble sert de guide au câble sur le tambour et minimise les dommages causés au câble par l'abrasion sur le support du treuil ou les brides du tambour.
6. Système d'ensemble d'engrenage ; Les engrenages de réduction convertissent la puissance du moteur du treuil en des forces de traction extrêmes.
7. Système de freinage externe : L'action de freinage est automatiquement appliquée au treuil quand le moteur du treuil est arrêté ou en cas de charge sur le câble métallique. Ceci est effectué par un frein mécanique externe séparé qui applique l'action de freinage. (Les freins ne sont PAS conçus pour être des dispositifs de sécurité et les câbles du treuil ne doivent jamais être laissés attachés quand le véhicule/l'équipement est transporté).
8. Embayage d'enroulement libre : L'embayage permet à l'opérateur de désengager manuellement (« CLUTCH OUT ») le tambour d'enroulement du train d'engrenage. Ceci s'appelle enroulement libre. Le fait d'embrayer (« EMBRAYAGE ») verrouille le treuil dans le système d'engrenage.
9. Solénoïde : L'alimentation électrique provenant de la batterie du véhicule circule dans le commutateur imperméable avant d'être dirigé vers le moteur du treuil.
10. Télécommande filaire du câble : Les câbles du commutateur à distance sont dotés d'un double commutateur permettant de mettre sous tension ou hors tension le tambour du treuil. La télécommande vous permet de rester à distance du câble métallique quand le treuil est sous charge.
11. Commande à distance sans fil (Fourni sur certains modèles): Ceci est conçu pour un usage « hors-route » et « non-commercial » uniquement et n'est pas inclus dans la garantie offerte. Ceci permet à l'opérateur de toujours garder le contrôle du treuil jusqu'à 50 pieds (15 m).

12. Canal de montage universel pour lit plat : (Optionnel) Il est possible qu'un canal de montage pour lit plat soit fourni en option avec votre treuil, qui peut être monté sur la plupart des surfaces plates comme les remorques, lits de camion et structures, etc. Le canal de montage possède également un certain nombre de trous de montage et de trous pour accepter votre guide-câble.
13. Poulie/Bloc d'arrachage : (Optionnel) Si un bloc d'arrachage est fourni avec votre treuil, pouvant doubler la puissance de traction du treuil ou changer le sens de traction sans endommager le câble métallique. Nous vous recommandons d'utiliser une ligne double et un bloc d'arrachage pour tracter plus de 70 % de la traction nominale de la ligne.

INSTRUCTIONS IMPORTANTES DE SÉCURITÉ

DANGER

N'EXCÉDEZ PAS LA CAPACITÉ NOMINALE.

USAGE INTERMITTENT UNIQUEMENT - REFROIDISSEMENT ENTRE LES UTILISATIONS.

Ne **PAS** utiliser le treuil pour soulever/déplacer des personnes ou des animaux vivants.

Un minimum de cinq tours de câble autour du fût de tambour est nécessaire pour tracter et maintenir la charge nominale. La pince de câble n'est pas conçue pour maintenir la charge dans les 5 tours de câble autour du tambour (habituellement marqué en rouge à l'extrémité tambour du câble).

DANGER

Restez, vous-même ainsi que les autres personnes, à une DISTANCE SÉCURISÉE du côté du câble en cas de tension.

Ne **JAMAIS** se tenir ou marcher sur un câble ou près d'un câble sous charge. L'utilisation d'une housse de treuil est fortement recommandée.

Ne **PAS** déplacer le véhicule pour tirer une charge (traction) sur le câble de treuil. Ceci pourrait résulter en une casse du câble.

Débranchez la télécommande et isolez-la lorsqu'elle n'est pas utilisée.

DANGER

Ne **PAS** excéder la traction nominale maximum. Évitez une « charge de choc » en utilisant la télécommande du câble par intermittence pour rattraper le mou du câble métallique. La « charge de choc » peut dépasser de loin la capacité nominale du câble métallique et du tambour et endommager le treuil et le frein. Ceci annulera toute garantie.

DANGER

Ne **PAS** utiliser le treuil comme dispositif d'arrimage, il n'est pas conçu pour cela. Cela endommagera le treuil et le frein, ce qui annulera toute garantie.

Ne **PAS** excéder les tractions nominales de ligne maximum indiquées dans les tableaux.

Ne **PAS** utiliser comme palan. Ne pas utiliser pour le levage en hauteur.

DANGER

Ne **JAMAIS** couper, souder ou modifier toute pièce du treuil ou du câble. Ceci annulera toute garantie.

DANGER

Lors du rembobinage du câble, assurez-vous que le câble s'enroule en position sous le vent, le câble entrant dans le tambour par le bas et non par le haut. Pour rembobiner correctement, et en portant des gants, maintenez une légère tension sur le câble tout en appuyant sur le bouton de la télécommande pour rétracter le câble. En marchant vers le treuil, ne **JAMAIS** laisser le câble du treuil glisser entre vos doigts ou vos mains.

Ne **PAS** mettre vos mains à 12" (30 cm) du treuil lors du rembobinage. Éteignez le treuil et répétez la procédure jusqu'à ce qu'il ne reste que quelques pieds de câble. Déconnectez la télécommande et terminez le rembobinage à la main en faisant pivoter le tambour manuellement, avec l'embrayage débrayé. Gardez les mains à distance du guide-câble et du tambour lorsque le treuil est alimenté.

DANGER

La non-lecture et la non-compréhension de ces avertissements peuvent entraîner des blessures corporelles et/ou des dommages matériels.

Portez toujours des gants pour vous protéger les mains lorsque vous manipulez un câble ou une corde. Ne laissez jamais le câble filer entre vos mains.

Ne rebranchez **JAMAIS** le câble sur lui-même.

Placez toujours des blocs/chocs/brides sur les roues du véhicule/de l'équipement lorsqu'il se trouve sur une pente et lors du transport.

Les modifications, altérations ou déviations du treuil ne sont pas autorisées par le fabricant et NE DOIVENT PAS être effectuées. Ceci annulera toute garantie.

La durée des tractions au treuil doit être aussi courte que possible. Si le moteur devient désagréablement chaud au toucher, arrêtez immédiatement le treuil et laissez-le refroidir pendant environ 8 minutes. N'actionnez pas le treuil pendant plus de 2 minutes à ou proche de la charge nominale maximum sans refroidissement pendant 8 minutes.

⚠ DANGER

Si le moteur cale, **CESSEZ** d'actionner le treuil. Les treuils électriques sont conçus et fabriqués pour une utilisation intermittente. Ils doivent être utilisés en fonction de leurs cycles de fonctionnement.

Ne **JAMAIS** relâcher l'embrayage d'enroulement libre quand une charge est présente sur le treuil, car la charge fera demi-tour.

Utilisez un crochet de sécurité pour les mains lorsque vous manipulez le crochet pour enrouler ou dérouler le câble métallique.

💬 REMARQUE

Le treuil et ses types dérivés ont une capacité nominale lors de l'enroulement de la première couche de câble sur le tambour. Une surcharge peut endommager le treuil/le moteur/le câble métallique.

Pour les charges supérieures à 70 % de la traction nominale de la ligne, nous recommandons d'utiliser le bloc de poulie/bloc d'arrachage pour doubler la ligne de câble métallique et réduire la tension. Ceci aidera de deux manières :

Cela réduira le nombre de couches de câble sur le tambour et réduira la charge sur le câble métallique jusqu'à 50 %. Lors du doublement de la ligne jusqu'au véhicule, attachez-la au cadre ou à une autre partie porteuse de charge.

💬 REMARQUE

Le moteur du véhicule doit tourner pendant l'opération du treuil pour minimiser la décharge de la batterie et maximiser la puissance et la vitesse du treuil. Si le treuil est utilisé pendant une longue durée avec le moteur éteint, la batterie peut se vider et être trop faible pour redémarrer le moteur. Si cela se produit, arrêtez immédiatement le treuil, faites démarrer le véhicule et rechargez la batterie.

💬 REMARQUE

Apprenez à connaître le treuil avant de devoir l'utiliser. Nous vous recommandons d'effectuer quelques essais pour vous familiariser avec les techniques de gréement, le bruit que produit le treuil sous diverses charges et la façon dont le câble s'enroule autour du tambour, etc.

INSPECTEZ le câble métallique et l'équipement avant chaque utilisation. Un câble effiloché ou endommagé doit immédiatement être remplacé. Utilisez uniquement un câble de rechange identique du fabricant, avec les spécifications exactes. (Les câbles ne sont pas couverts par la garantie offerte.)

INSPECTEZ l'installation du treuil et les boulons pour s'assurer que tous les boulons sont serrés avant chaque opération.

💬 REMARQUE

Rangez le câble de télécommande dans votre véhicule ou dans un endroit sûr.

Ne rebranchez jamais le câble de treuil sur lui-même. Ceci endommagerait le câble. Utilisez toujours une poulie, un bloc d'arrachage, une courroie ou une chaîne de force appropriée comme indiqué dans les illustrations.

💬 REMARQUE

Tout treuil semblant être défectueux, endommagé, usé ou fonctionnant anormalement **DOIT ÊTRE MIS HORS SERVICE JUSQU'À RÉPARATION, REMPLACEMENT OU RÉVISION**. Il est recommandé de faire effectuer les réparations nécessaires dans un centre de réparation agréé par le fabricant **UNIQUEMENT**.

💬 REMARQUE

Tirez uniquement sur les zones du véhicule comme spécifié par le fabricant du véhicule.

- Seuls les accessoires et/ou adaptateurs fournis par le fabricant doivent être utilisés.

⚠ ATTENTION

Lors de l'utilisation de l'outil, les précautions de sécurité de base doivent toujours être respectées afin de réduire le risque de blessures corporelles et de dégâts sur l'équipement. Lisez toutes ces instructions avant d'utiliser cet outil !

⚠ AVERTISSEMENT

Tenez les enfants à l'écart. N'autorisez jamais les enfants à se trouver dans la zone de travail. Ne les laissez pas manipuler les machines, outils, rallonges électriques ni utiliser cet outil.

⚠ AVERTISSEMENT

Stockez les équipements inutilisés. Lorsqu'ils ne sont pas utilisés, les outils doivent être rangés dans un endroit sec pour éviter la rouille. Enfermez toujours les outils et conservez-les hors de portée des enfants.

⚠ ATTENTION

Habillez-vous correctement. Ne portez pas de vêtements amples ni de bijoux, : ils peuvent être happés par les pièces mobiles. Lorsque vous travaillez, il est conseillé de porter des vêtements de protection, non conducteurs d'électricité et des chaussures antidérapantes. Portez un couvre-chef restrictif pour contenir les cheveux longs.

⚠️ AVERTISSEMENT

Utilisez des protections pour les yeux et les oreilles. Portez toujours des lunettes de protection anti-choc. Portez un masque de protection couvrant tout le visage si vous produisez de la limaille métallique ou des copeaux de bois. Portez un masque anti-poussière ou un respirateur lorsque vous travaillez à proximité de métal, de bois, de poussières chimiques et de brumes.

⚠️ ATTENTION

Entretenez soigneusement ce treuil. Conservez cet outil dans un endroit sec et propre pour une meilleure performance, plus sûre. Suivez les instructions pour la lubrification et le remplacement des accessoires. Inspectez périodiquement les câbles du treuil et, s'ils sont endommagés, faites-les remplacer immédiatement par un technicien agréé. Les poignées doivent toujours être propres, sèches et sans aucune huile ni graisse.

Déconnectez ou débranchez la télécommande lorsque vous ne l'utilisez pas.

⚠️ DANGER

Restez vigilant, regardez ce que vous faites, faites preuve de bon sens. N'utilisez pas d'outil lorsque vous êtes fatigué.

⚠️ AVERTISSEMENT

Vérifier si des pièces sont endommagées. Avant d'utiliser ce treuil, toute pièce qui semble usée ou endommagée doit être soigneusement vérifiée afin de déterminer si elle fonctionnera correctement et remplira la fonction pour laquelle elle a été conçue. Vérifiez qu'il n'y a aucun dégât visible, y compris sur les alignements, le blocage des pièces mobiles et les fixations. Toute pièce endommagée doit être correctement réparée ou remplacée par une personne qualifiée. N'utilisez pas l'outil si l'un des interrupteurs ne s'allume pas ou ne s'éteint pas correctement.

⚠️ AVERTISSEMENT

Pièces de rechange et accessoires. En cas de réparation ou d'entretien, n'utilisez que des pièces de rechange identiques. L'utilisation de toute autre pièce annulera la garantie.

⚠️ AVERTISSEMENT

N'utilisez pas l'outil si vous vous trouvez sous l'influence de l'alcool ou de drogues. Lisez les étiquettes d'avertissement sur les ordonnances pour déterminer si votre jugement ou vos réflexes sont altérés par la prise de médicaments. En cas de doute, n'utilisez pas l'outil.

⚠️ DANGER

Gardez les mains et le corps à l'écart du chaumard (fente d'entrée du câble) pendant l'utilisation.

Fixez toujours le véhicule en place avant d'utiliser le treuil.

⚠️ AVERTISSEMENT

Assurez-vous que le treuil est correctement boulonné à une structure (ou un véhicule) qui peut supporter la charge nominale maximale du treuil.

N'utilisez pas d'accessoires inappropriés pour prolonger la longueur du câble du treuil.

⚠️ DANGER

Ne soulevez jamais de personnes, ne faites jamais passer de charges par-dessus quelqu'un et ne soulevez jamais d'animaux vivants.

Ne vous placez jamais entre le treuil et la charge pendant le fonctionnement.

⚠️ AVERTISSEMENT

N'appliquez aucune charge sur le treuil lorsque le câble est entièrement déployé, au-delà du repère de sécurité. Gardez au moins 5 tours complets de câble sur la bobine (généralement marqué en rouge sur le câble du treuil à l'extrémité du tambour).

Après avoir déplacé une pièce d'équipement avec le treuil, fixez l'équipement en place. Ne comptez pas sur le treuil pour tenir la charge pendant une période de temps prolongée ou pendant le transport. Les treuils ne sont pas des dispositifs de sécurité. Faire cela annulera toute garantie.

⚠️ ATTENTION

Examinez le treuil avant de l'utiliser. Les composants peuvent être affectés par l'exposition aux produits chimiques, aux sels et à la rouille.

Ne pas traverser ni passer sous le câble du treuil lorsqu'il est en charge.

Utilisez des gants pour manipuler le câble.

⚠️ AVERTISSEMENT

N'utilisez jamais le treuil si le câble présente des signes de faiblesse, par exemple des nœuds ou des coudes. Si c'est le cas, vous devez le remplacer immédiatement.

⚠ DANGER

Ne déplacez pas votre véhicule avec le câble déployé ou attaché à la charge. Vous pourriez facilement dépasser la capacité du treuil et casser le câble.

Lorsque le véhicule est garé sur une pente, vous devez utiliser des cales.

⚠ ATTENTION

Rembobinez toujours correctement le câble après toute utilisation afin d'éviter tout désalignement du câble du treuil lors de la prochaine utilisation.

⚠ ATTENTION

Le câble du treuil doit être enroulé sur le tambour sous une charge d'au moins 10 % de la traction nominale du câble. Sinon, les enroulements extérieurs s'emboîteront dans les enroulements intérieurs et endommageront le câble du treuil.

Avant d'utiliser le treuil sous charge, vous devez vérifier le bon fonctionnement du treuil en engageant et en désengageant l'embrayage, en actionnant les commandes directionnelles et les commandes de vitesse. Cela permet de s'assurer que le treuil fonctionne correctement et d'éviter les dégâts involontaires et les blessures. Faire tourner le treuil avant de le charger permet également de s'assurer que les engrenages sont correctement alignés.

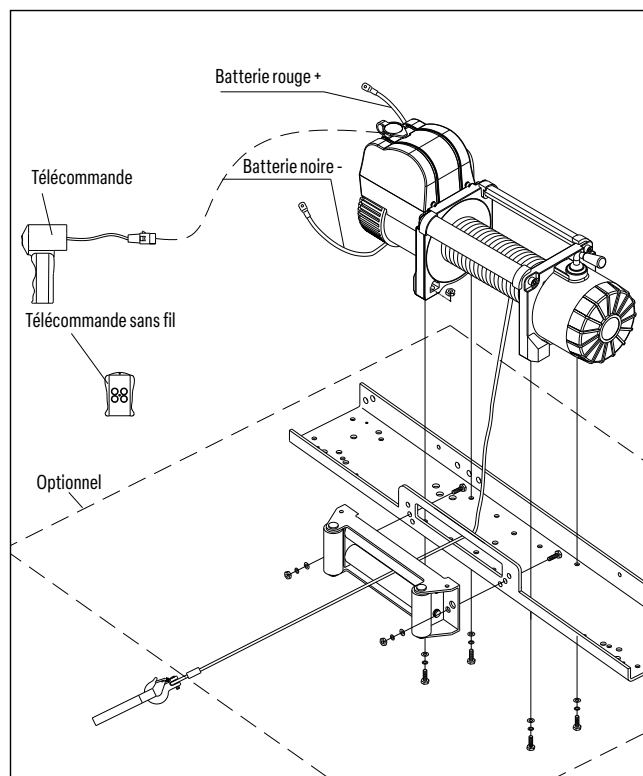
⚠ ATTENTION

Les batteries contiennent des gaz inflammables et explosifs. Portez des lunettes de protection pendant l'installation et retirez tous vos bijoux. Ne vous penchez pas sur la batterie pendant que vous effectuez les connexions.

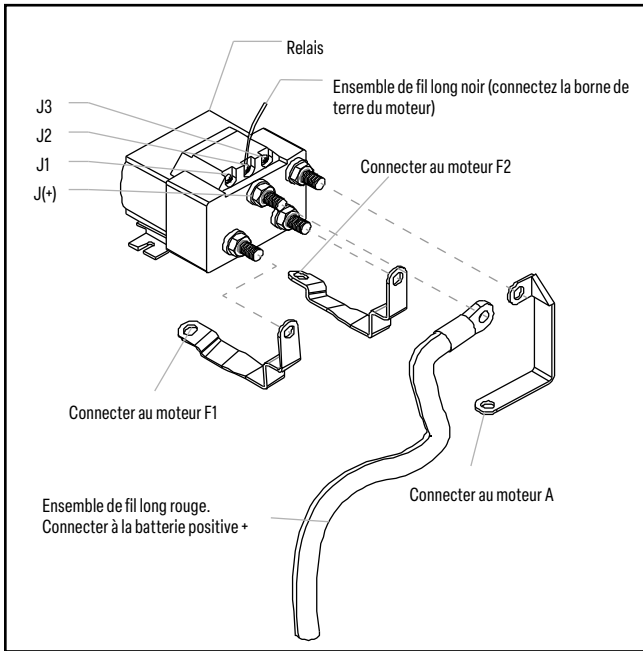
⚠ WARNING

Il est vivement recommandé d'installer un isolateur de batterie pour protéger le véhicule, l'équipement et l'utilisateur contre les situations dangereuses. Si aucun n'est fourni, il est conseillé d'en acheter un et de l'installer avant de faire fonctionner le treuil.

Ne pas installer d'isolateur de batterie ou d'arrêt de sécurité pourrait avoir pour résultat des dégâts sur le véhicule, l'équipement et/ou l'opérateur, et annuler toute garantie offerte.

ASSEMBLAGE ET MONTAGE DU TREUIL

1. Le treuil est conçu avec un modèle de boulons standard dans cette classe de treuil. De nombreux kits de montage de treuil disponibles utilisent ce modèle de boulons pour les véhicules et les canaux de montage les plus populaires. Si vous ne trouvez pas de kit localement, contactez-nous et nous vous fournirons le nom d'un revendeur près de vous. Si vous utilisez le canal de montage, vous devez vous assurer qu'il soit monté sur une surface plate afin que les trois sections principales (moteur, tambour et logement de l'engrenage) soient correctement alignées. Un alignement correct du treuil permettra une distribution uniforme de la charge nominale totale. Le risque d'endommager le treuil ou l'équipement sera ainsi réduit. Une mauvaise installation contribue à environ 90 % des dommages faits à l'équipement ou au treuil.
2. Commencez par connecter le guide-câble au canal de montage en utilisant 2 de chaque : boulon d'assemblage M10 X 35, rondelle plate, rondelle de blocage. Sécurisez avec un écrou M10 (assurez-vous que le boulon soit placé dans le canal de montage et le guide-câble à l'intérieur du canal. Cela laissera suffisamment de place pour positionner le treuil dans le canal, sans obstruction.)
3. Montez le treuil au canal de montage (optionnel) en tirant d'abord et en relâchant le bouton d'embrayage en position « Out » (enroulement libre). Tirez quelques pieds de câble du tambour et faites passer la boucle du câble par l'ouverture à l'avant du canal de montage et du guide-câble. À présent, utilisez ce qui reste : boulon d'assemblage M10 x 35, rondelle plate, rondelle de blocage et écrou M10 pour sécuriser le treuil au canal de montage.
4. Connectez les câbles de la batterie et du moteur comme sur le dessin ci-dessus. Gardez à l'esprit que chaque type de treuil est différent.
5. Connectez le moteur du treuil comme détaillé ci-dessus :



6. Assemblez le crochet de chape au câble. Retirez la goupille du crochet de chape, connectez-le au câble et remontez la goupille au crochet de chape.
7. Utilisez toujours un crochet de sécurité (optionnel) lors de l'enroulement libre et du rembobinage du câble métallique. L'utilisation d'un crochet de sécurité permet de garder vos mains et vos doigts loin du tambour en rotation.
8. Vérifiez la bonne rotation du tambour. Tirez ou tournez le bouton d'embrayage sur la position « Out » « Disengage » (enroulement libre). Tirez un peu de câble du tambour puis tournez le bouton d'embrayage sur la position « IN » « Engage » pour engager les engrenages. Appuyez sur le bouton de sortie du câble sur la télécommande du câble. Si le tambour tourne et relâche le câble, les connexions sont alors bonnes. Si le tambour tourne et enroule davantage le câble, inversez les câbles sur le moteur. Répétez et vérifiez la rotation.

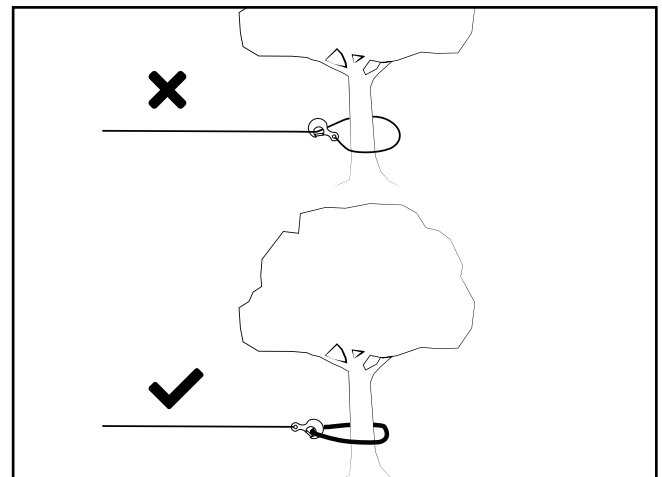
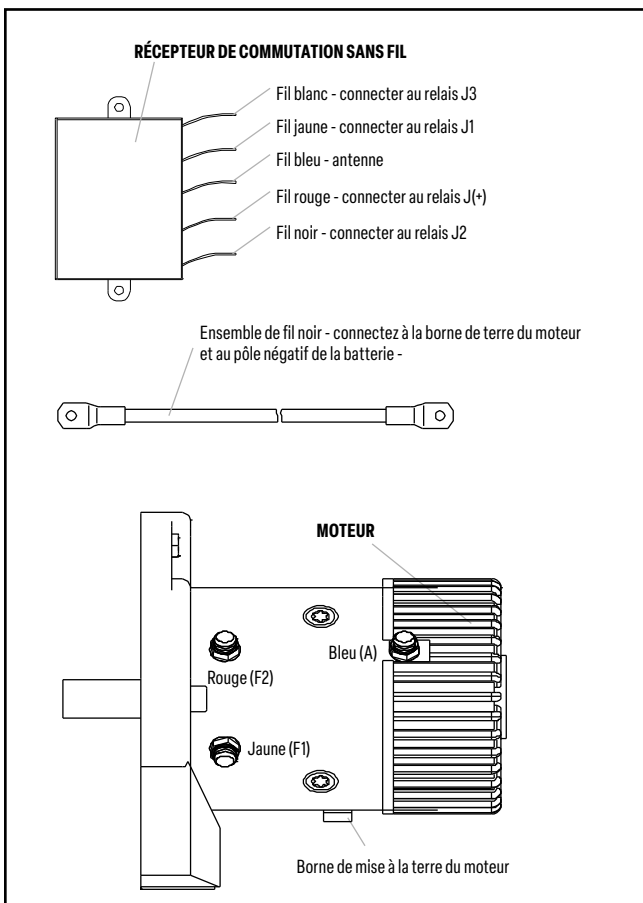
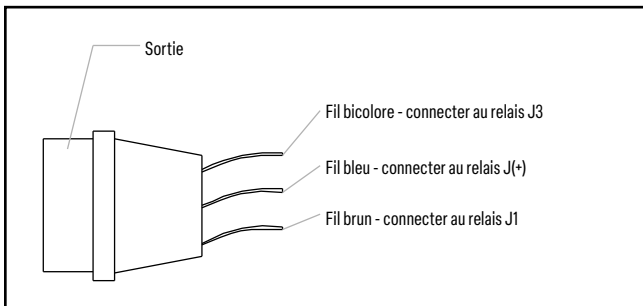
TECHNIQUES DE GRÉEMENT

Trouvez un point d'ancrage approprié, comme un tronc d'arbre ou un rocher solide.

Utilisez TOUJOURS un harnais ou une sangle comme point d'ancrage sur un objet. N'utilisez jamais le câble ou le crochet comme point d'ancrage fixé à un objet.

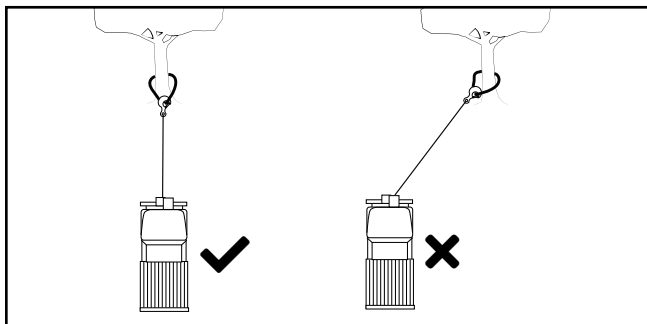
⚠ PRÉCAUTION

N'attachez JAMAIS le crochet de chape au câble de treuil, car cela pourrait endommager le câble.



⚠ PRÉCAUTION

Ne procédez pas à un treuilage depuis un angle aigu car le câble métallique se coincera d'un côté du tambour, ce qui endommagera le câble métallique (nid d'oiseau) et causera des dommages importants au treuil et à l'équipement éventuel.



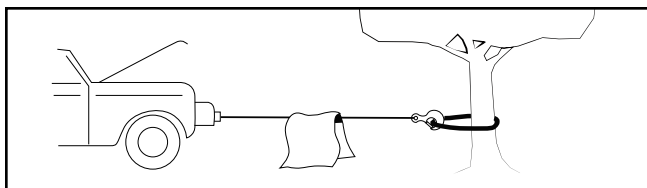
REMARQUE

De courtes tractions depuis un angle peuvent être utilisées pour redresser le véhicule/l'équipement. Les tractions longues doivent être effectuées avec le câble en ligne droite vers le treuil/le véhicule, voir l'illustration ci-dessus

PRÉCAUTION

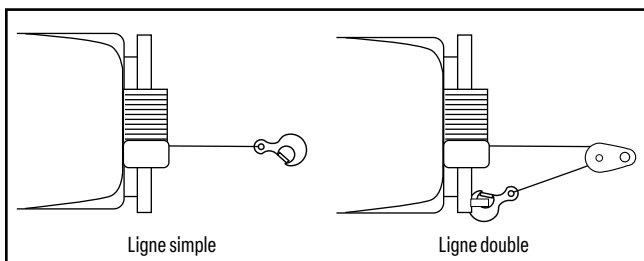
Lorsque vous tirez une charge lourde, placez une couverture ou une veste sur le câble métallique à cinq ou six pieds du crochet car, en cas de rupture du câble, elle amortira la force.

Pour plus de protection, ouvrez le capot du véhicule comme indiqué.



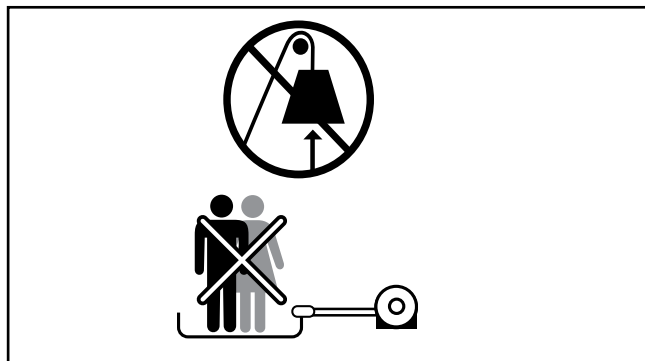
REMARQUE

Pour les tractions supérieures à 70 % de la traction nominale de la ligne, nous recommandons d'utiliser le bloc de poulie/bloc d'arrachage pour doubler la ligne de câble métallique. Ceci réduit la charge sur le treuil et la tension sur le câble.



DANGER

N'utilisez jamais le treuil pour le levage aérien, le levage de personnes, le déplacement de personnes ou le déplacement d'animaux vivants.



TECHNIQUES DE TREUILLAGE A-Z

- Prenez le temps d'évaluer votre situation et planifiez votre traction.
- Mettez des gants pour protéger vos mains.
- Débrayez l'embrayage si possible pour permettre un enroulement libre et aussi économiser la batterie.
- (Si fourni) Fixez le crochet de sécurité au crochet de chape.
- Tirez le câble métallique jusqu'au point d'ancrage souhaité en toute sécurité.
- Sécurisez le crochet de chape au point d'ancrage : harnais, chaîne ou bloc d'arrachage. Ne fixez pas le crochet sur le câble métallique.
- Embrayez l'embrayage.
- Connectez le câble de télécommande au treuil.
- Démarrez votre moteur vous assurer que la batterie de votre véhicule se recharge.
- L'énergie dans le câble guide le câble sous tension pour rattraper le mou du câble. Une fois le câble sous tension, restez bien à l'écart. Ne vous tenez jamais et ne marchez jamais sur le câble métallique sous tension.
- Vérifiez deux fois vos ancrages et assurez-vous que toutes les connexions soient sécurisées.
- Inspectez le câble métallique. Assurez-vous qu'il y ait au moins 5 tours du câble métallique autour du tambour de treuil (habituellement marqué en rouge).
- Placez une couverture ou une housse (vendu séparément) sur le câble métallique à environ 5 à 6 pieds du crochet. Ouvrez le capot pour plus de protection.
- Dégagez la zone. Assurez-vous que toutes les personnes, les spectateurs soient bien en retrait et que personne ne se trouve directement devant ou derrière le véhicule ou le point d'ancrage.
- Commencez le treuillage. Assurez-vous que le câble métallique se déroule de manière homogène et de façon serrée autour du tambour. Si besoin, le véhicule en cours de treuillage peut être conduit lentement pour aider davantage le processus de treuillage. Évitez les charges de choc, gardez le câble métallique sous tension.
- Le véhicule à tracter doit être placé en neutre, le frein à main desserré. Ne relâchez la pédale de frein que lorsque la pleine tension est atteinte. Évitez une charge de choc au treuil. Ceci peut endommager le treuil, le câble et le véhicule.
- Le treuil est conçu pour un usage intermittent. En pleine charge avec un appareil à une seule ligne, ne mettez pas sous tension pendant plus

de 8 minutes sans laisser le moteur refroidir pendant quelques minutes. Reprenez ensuite l'opération de treuillage.

r. L'opération de treuillage est terminée une fois que le véhicule est sur un terrain stable et/ou qu'il peut être conduit de manière autonome.

s. Sécurisez le véhicule. Assurez-vous de mettre le frein et mettez le véhicule en mode stationnement.

t. Relâchez la tension sur le câble métallique. Le treuil n'est PAS conçu comme dispositif de sécurisation et ne doit JAMAIS maintenir une charge ou sécuriser pendant le transport. Le câble de treuil DOIT être relâché quand l'équipement ou le véhicule est sécurisé. Le non-respect de cette consigne endommagera le frein et le treuil, et annulera toute garantie.

u. Déconnectez le câble métallique de l'ancrage. Ne laissez JAMAIS connecté.

v. Rembobinez le câble métallique. Assurez-vous que tout câble déjà présent sur le tambour soit enroulé de manière serrée et soignée. Si ce n'est pas le cas, tirez le câble et rembobinez-le afin qu'il soit serré.

w. Gardez vos mains à l'écart du tambour du treuil et du guide-câble lorsque le câble métallique est en cours de rembobinage.

x. Sécurisez le crochet et la sangle du crochet.

y. Déconnectez le câble de télécommande et rangez-le dans un endroit propre et sec.

z. Nettoyez et inspectez les connexions et le matériel de montage pour la prochaine opération de treuillage.

AVERTISSEMENT

Ne remplacez le câble métallique que par la pièce de rechange identique recommandée par le fabricant. Les câbles en acier ou synthétique ne sont PAS couverts par la garantie offerte et sont sous la seule responsabilité du propriétaire ou de l'utilisateur concernant l'entretien et le remplacement si nécessaire.

MAINTENANCE

1. Vérifiez périodiquement le serrage des boulons de fixation et des connexions électriques. Enlevez toute saleté ou corrosion et gardez toujours propre.
2. N'essayez pas de démonter la boîte d'embrayage. Les réparations doivent être effectuées par le fabricant ou dans un centre de réparation agréé.
3. La boîte d'embrayage a été lubrifiée à l'aide de graisse au lithium haute température. Elle est scellée en usine. Aucune lubrification interne n'est requise.

REPLACEMENT DU CÂBLE MÉTALLIQUE

Si le câble métallique s'use ou s'il commence à montrer des signes d'effilochage, celui-ci doit être remplacé avant d'être à nouveau utilisé.

1. Tournez l'embrayage en position « CLUTCH OUT ».
2. Tirez le câble sur toute sa longueur. Notez comment le câble existant est connecté au tambour.
3. Retirez l'ancien ensemble de câble et fixez le nouveau comme l'ancien câble connecté au tambour. Insérez l'extrémité du nouveau câble et sécurisez la vis M8x10.
4. Assurez-vous que le nouveau câble s'enroule dans le même sens de rotation que l'ancien. Le câble doit sortir du tambour par le bas, sous le tambour. (Sous le vent).
5. Tournez l'embrayage en position « CLUTCH IN ».
6. Mettez le câble du treuil sur le tambour, les cinq premiers tours en veillant à éviter de vriller. Le câble du treuil doit ensuite être enroulé sur le tambour sous une charge d'au moins 10 % de la traction de ligne nominale.

DÉPANNAGE

Problème	Cause	Solution
Le moteur ne s'allume pas	Ensemble de commande à distance pas connecté correctement	Vérifiez le câble et les connexions.
	Connexions de câbles de batterie desserrées	Vérifiez la batterie et les connexions.
	Ensemble de commande à distance défectueux	Remplacez l'ensemble du câble de commande à distance.
	Moteur défectueux	Vérifiez la tension au port d'armature quand le commutateur est actionné. Si aucune tension n'est présente, remplacez le moteur.
	De l'eau a pénétré dans le moteur	Laissez-le s'égoutter et sécher. Faites tourner le treuil jusqu'à ce qu'il soit complètement sec.
Le moteur fonctionne mais le tambour ne tourne pas	Embrayage non engagé	Mettez l'embrayage en position « In ». Si le problème persiste, demandez à un technicien qu'il vérifie et procède à une réparation.
Le moteur tourne lentement ou la puissance est anormale	Courant ou tension insuffisant(e)	Actionnez le treuil quand le moteur du véhicule tourne.
Surchauffe du moteur	Le treuil fonctionne trop longtemps	Laissez le treuil refroidir de temps en temps.
Le moteur tourne uniquement dans un sens	Les connexions du câble de la batterie ou du câble du moteur sont lâches ou corrodées.	- Nettoyez et resserrez. - Réparez ou remplacez l'ensemble du commutateur.
Mauvais fonctionnement du frein du treuil	Le câble se déroule dans le mauvais sens	Ajustez le sens de travail du câble.
	Usure ou panne de la tranche de frein	Ajustez l'angle de freinage ou remplacez par une nouvelle tranche de frein

GARANTIE*

BPE Limited sont les seuls distributeurs de TREUILS WARRIOR.

BPE Limited (le vendeur) garantit à l'acheteur que tout composant mécanique d'un TREUIL WARRIOR d'origine (le produit) est exempt de défauts de fabrication et de matériaux pendant toute la durée de vie du treuil.

Les composants électriques (y compris le moteur, le contacteur et les commutateurs) seront exempts de défauts de matériaux et de fabrication pendant une période de (3) trois ans (36 mois) à compter de la date d'achat prouvable initiale.

Tout produit que BPE Limited jugera défectueux sera réparé ou remplacé à sa seule discrétion et sans frais pour l'acheteur dès que ce dernier se sera conformé à la présente procédure. Le Vendeur ou son Agent autorisé peut facturer des frais raisonnables pour les pièces et la main-d'œuvre pour les réparations non couvertes par la garantie à vie. Les garanties énoncées dans les présentes sont exclusives et remplacent toutes les autres garanties, qu'elles soient orales ou écrites, expresses ou implicites.

Dans le cas où votre produit serait défectueux pendant votre période de garantie

Pour obtenir un entretien ou une réparation au titre de la présente garantie, l'acheteur doit envoyer par la poste, expédier ou livrer à l'adresse du fabricant, aux frais de l'acheteur, (1) le produit, (2) une description écrite du problème, (3) le nom, l'adresse et le numéro de téléphone de l'acheteur, (4) une copie de la facture d'achat originale ou BPE Limited peut organiser une méthode de collecte appropriée (des frais s'appliquent).

Exclusions de la garantie

La garantie ne couvre pas le coût de la main-d'œuvre ou les frais de transport/expédition pour le remplacement ou l'installation de la ou des pièces défectueuses.

Cette garantie ne s'applique pas aux défauts du Produit causés par : (1) l'usure normale, (2) le non-respect de l'installation, de l'entretien ou l'exposition du produit à des charges supérieures à celles indiquées dans le manuel du propriétaire ou détaillées sur le site Web du Vendeur, (3) l'altération ou la modification par des parties autres que le fabricant, (4) la mauvaise utilisation, l'abus, la négligence, les accidents, les catastrophes naturelles, le terrorisme ou (5) le défaut d'utilisation correcte de l'article conformément au manuel du propriétaire (7) d'autres causes indépendantes de la volonté du Vendeur après la livraison du Produit à l'Agent autorisé du Vendeur.

Autres exclusions

Cette garantie ne couvre pas les câbles en acier, les câbles synthétiques, les guide-câbles, les commandes à distance sans fil ou toute finition extérieure dans les trente (30) jours à compter de l'achat.

BPE Limited ne peut être tenu responsable de tout dommage indirect ou consécutif. Ces dommages indirects peuvent inclure, sans s'y limiter, des pertes de profits ou d'utilisation, des temps d'arrêt ou des dommages à l'équipement d'autres personnes.

BPE Limited se réserve le droit de modifier la conception du Produit sans préavis. BPE Limited se réserve le droit de remplacer toute pièce ou unité entière par un modèle plus récent de même fonction.

SPÉCIFICATIONS S8000

Tractions nominales de la ligne	8000 lbs (3628kg)	
Rapport de réduction de l'engrenage	196:1	
Moteur	12V:Input: 4.3Kw / 5.8hp Output: 2.0kW / 2.7hp 24V:Input: 5.5Kw / 7.4hp Output: 2.8kW / 3.8hp	
Dimensions générales	559 mm ×160mm ×248mm (22"×6.3"×9.8")	
Taille du tambour	Ø63mm×223 mm (Ø2.48 "×8.8 ")	
Câble	Câble synthétique	Câble métallique
	Ø8mm × 25m (Ø0.31" × 82')	Ø8.3mm × 29m (Ø0.32" × 95')
Poids net	Câble synthétique	Câble métallique
	28kg (61.7 lbs)	39kg (85.9 lbs)

Traction, Vitesse, Ampères, Volts (première couche) :

Traction de ligne	Vitesse de ligne pi/min (m/min)	Courant A
lbs (kgs)	12V DC	12V DC
0	36(11.0)	50
2000 (900)	17.4(5.3)	125
4000 (1800)	13.1(4.0)	200
6000 (2721)	10.5(3.2)	260
8000 (3628)	8.2(2.5)	310

FR

Capacité de traction de ligne et de câble en couche

Couche	Traction nominale de la ligne lbs (kg)	Câble total sur le tambour pi (m)
1	8000 (3628)	21.3 (6.5)
2	6620 (3000)	46.9 (14.3)
3	5650 (2562)	77.1 (23.5)
4	4920 (2230)	95.1 (29)

SPÉCIFICATIONS S9500SD

Tractions nominales de la ligne	9500 lbs (4309kg)	
Rapport de réduction de l'engrenage	196:1	
Moteur	12V:Input: 4.6Kw / 6.1hp Output: 2.1kW / 2.8hp 24V:Input: 5.8Kw / 7.8hp Output: 2.8kW / 3.8hp	
Dimensions générales	456 mm ×160mm ×248mm (18"×6.3"×9.8")	
Taille du tambour	Ø63mm×120 mm (Ø2.48 "×4.7 ")	
Câble	Câble synthétique	Câble métallique
	Ø9.5mm×15m (Ø0.37"×49.2 ')	Ø9.2mm×14m (Ø0.36"×45.9 ')
Poids net	Câble synthétique	Câble métallique
	27kg (59.5 lbs)	32kg (70.5 lbs)

Traction, Vitesse, Ampères, Volts (première couche) :

Traction de ligne	Vitesse de ligne pi/min (m/min)	Courant A
lbs (kgs)	12V DC	12V DC
0	36 (11.0)	50
2000 (900)	17.4 (5.3)	120
3000 (1360)	15.4 (4.7)	150
6000 (2721)	10.5 (3.2)	260
8000 (3628)	8.2 (2.5)	300
9500 (4309)	6.5 (2.0)	355

Capacité de traction de ligne et de câble en couche

Couche	Traction nominale de la ligne lbs (kg)	Câble total sur le tambour pi (m)
1	9500 (4309)	9.8(3.0)
2	7600 (3447)	24.6 (7.5)
3	6200 (2812)	42.7(13.0)
4	5400 (2449)	45.9 (14.0)

SPÉCIFICATIONS S9500

Tractions nominales de la ligne	9500 lbs (4309kg)	
Rapport de réduction de l'engrenage	196:1	
Moteur	12V:Input: 4.6Kw / 6.1hp Output: 2.1kW / 2.8hp 24V:Input: 5.8Kw / 7.8hp Output: 2.8kW / 3.8hp	
Dimensions générales	559 mm ×160mm ×248mm (22"×6.3"×9.8")	
Taille du tambour	Ø63mm×223 mm (Ø2.48 "×8.8 ")	
Câble	Câble synthétique	Câble métallique
	Ø9.5mm×25m (Ø0.37"×82')	Ø9.2mm×26m (Ø0.36"×85.3')
Poids net	Câble synthétique	Câble métallique
	30kg (66.1 lbs)	40kg (88.1 lbs)

Traction, Vitesse, Ampères, Volts (première couche) :

Traction de ligne	Vitesse de ligne pi/min (m/min)	Courant A
lbs (kgs)	12V DC	12V DC
0	36 (11.0)	50
2000 (900)	17.4 (5.3)	120
3000 (1360)	15.4 (4.7)	150
6000 (2721)	10.5 (3.2)	260
8000 (3628)	8.2 (2.5)	300
9500 (4309)	6.5 (2.0)	355

FR

Capacité de traction de ligne et de câble en couche

Couche	Traction nominale de la ligne lbs (kg)	Câble total sur le tambour pi (m)
1	9500 (4309)	18 (5.5)
2	7600 (3447)	39.4 (12)
3	6200 (2812)	64 (19.5)
4	5400 (2449)	85 (26.0)

SPÉCIFICATIONS S12000

Tractions nominales de la ligne	12000 lbs (5443kg)	
Rapport de réduction de l'engrenage	253:1	
Moteur	12V:Input: 5.0Kw / 6.7hp Output: 3.2hp / 2.4kW 24v:Input: 6.0Kw / 8.0hp Output: 4.2hp / 3.1kW	
Dimensions générales	559 mm ×160mm ×248mm (22"×6.3"×9.8")	
Taille du tambour	Ø63mm×223 mm (Ø2.48 "×8.8 ")	
Câble	Câble synthétique	Câble métallique
	Ø11mm×25m (Ø0.43"×82 ')	Ø10.2mm×25.5m (Ø0.4"×83.6 ')
Poids net	Câble synthétique	Câble métallique
	32kg (70.5 lbs)	44kg (97 lbs)

Traction, Vitesse, Ampères, Volts (première couche) :

Traction de ligne lbs (kgs)	Vitesse de ligne pi/min (m/min)		Courant A	
	12V DC	24V DC	12V DC	24V DC
0	27.9 (8.5)	36.1 (11.0)	45	30
6000 (2721)	11.5 (3.5)	12.1 (3.7)	200	130
8000 (3628)	8.2 (2.5)	10.5 (3.2)	240	180
10000 (4535)	5.9 (1.8)	8.9 (2.7)	300	220
12000 (5443)	4.6 (1.4)	7.9 (2.4)	370	250

Capacité de traction de ligne et de câble en couche

Couche	Traction nominale de la ligne lbs (kg)	Câble total sur le tambour pi (m)
1	12000 (5443)	15.1 (4.6)
2	9533 (4324)	34.1 (10.4)
3	7907 (3586)	57.7 (17.6)
4	6755 (3064)	83.7 (25.5)

SPÉCIFICATIONS S14500

Tractions nominales de la ligne	14500 lbs (6577kg)	
Rapport de réduction de l'engrenage	253:1	
Moteur	12V:Input: 5.4Kw / 7.2hp Output: 2.7kW / 3.6hp 24V:Input: 6.2Kw / 8.3hp Output: 3.3kW / 4.4hp	
Dimensions générales	593 mm x160mm x248mm (23.35"x6.3"x9.8")	
Taille du tambour	Ø63mmx223 mm (Ø2.48 "x8.8 ")	
Câble	Câble synthétique	Câble métallique
	Ø11mmx25m (Ø0.43"x82 ")	Ø10.2mmx25.5m (Ø0.4"x83.6 ")
Poids net	Câble synthétique	Câble métallique
	33kg (72.7 lbs)	43kg (94.7 lbs)

Traction, Vitesse, Ampères, Volts (première couche) :

Traction de ligne lbs (kgs)	Vitesse de ligne pi/min (m/min)		Courant A	
	12V DC	24V DC	12V DC	24V DC
0	27.9 (8.5)	36.1 (11.0)	45	30
6000 (2721)	11.5 (3.5)	13.8 (4.2)	200	130
8000 (3628)	7.87 (2.4)	10.5 (3.2)	245	160
10000 (4535)	5.57 (1.7)	8.9 (2.7)	310	190
12000 (5443)	4.92 (1.5)	7.9 (2.4)	380	230
14500 (6577)	2.6 (0.8)	4.26 (1.3)	460	300

FR

Capacité de traction de ligne et de câble en couche

Couche	Traction nominale de la ligne lbs (kg)	Câble total sur le tambour pi (m)
1	14500 (6577)	15.1 (4.6)
2	11519 (5224)	34.1 (10.4)
3	9556 (4334)	57.7 (17.6)
4	8163 (3702)	83.7 (25.5)

WPROWADZENIE

Gratulujemy zakupu wciągarki. Projektujemy i budujemy wciągarki zgodnie ze ścisłymi specyfikacjami, a przy prawidłowym użytkowaniu i konserwacji wciągarka powinna zapewnić lata satysfakcjonującej obsługi.

Dołożono wszelkich starań, aby informacje zawarte w niniejszej instrukcji były precyzyjne i wyczerpujące na dzień ich publikacji; ponadto zastrzegamy sobie prawo do wprowadzania zmian, poprawek lub udoskonaleń w produkcie i niniejszym dokumencie w dowolnym czasie bez wcześniejszego powiadomienia.

SYMBOLE BEZPIECZEŃSTWA

Twoja wciągarka może wytwarzać ogromne siły ciągnące i jeśli jest używana w sposób niebezpieczny lub niewłaściwy, może spowodować uszkodzenie mienia, poważne obrażenia lub śmierć. W całej instrukcji znajdziesz następujące symbole oznaczające przestrożę, ostrzeżenie i niebezpieczeństwo. Zwróć szczególną uwagę na uwagi poprzedzone tymi symbolami, ponieważ zamieściliśmy je dla Twojego bezpieczeństwa. W końcu bezpieczna obsługa tego urządzenia zależy od operatora, czyli od Ciebie.

NIEBEZPIECZEŃSTWO

NIEBEZPIECZEŃSTWO oznacza niebezpieczną sytuację, która, jeśli nie zostanie uniknięta, spowoduje śmierć lub poważne obrażenia.

OSTRZEŻENIE

OSTRZEŻENIE oznacza niebezpieczną sytuację, która, jeśli nie zostanie uniknięta, może doprowadzić do śmierci lub poważnych urazów ciała.

OSTROŻNIE

OSTROŻNIE oznacza niebezpieczną sytuację, która, jeśli nie zostanie uniknięta, może doprowadzić do pomniejszych lub umiarkowanych urazów ciała.

UWAGA

UWAGA wskazuje informacje uznawane za istotne, ale niezwiązane z zagrożeniem (np. komunikaty dotyczące uszkodzenia mienia).

POZNAJ SWOJĄ WCIĄGARKĘ

Twoja wciągarka to urządzenie cechujące się dużą mocą. Ważne jest, aby zrozumieć podstawy jej działania i parametry, aby w razie potrzeby móc z niej korzystać pewnie i bezpiecznie. Poniżej znajduje się lista elementów wciągarki i ich zastosowań.

1. Wciągarka ta została zaprojektowana dla maksymalnego uciążu liny z tylko jedną warstwą liny nawiniętą na bęben wciągarki (pierwsza warstwa).
2. Silnik: Silnik jest zasilany akumulatorem 12/24 V; dostarcza on energię do zespołu przekładni, który obraca bęben i nawija linę stalową w określonym kierunku.
3. Bęben wciągarki: Bęben wciągarki to cylinder, na którym jest przechowywana lina stalowa. Można go nawijać lub rozwijać za pomocą zdalnego przełącznika.
4. Lina stalowa: Twoja wciągarka jest wyposażona w ocynkowany kabel lotniczy lub linę syntetyczną zaprojektowaną specjalnie do udźwigu znamionowego tej wciągarki. Lina stalowa jest podawana od spodu bębna przez dostarczoną prowadnicę, na końcu jest zapłona, aby przyjąć hak widełkowy.
5. Prowadnica (Dostarczane z wybranymi modelami): Podczas używania wciągarki pod kątem prowadnica rolkowa prowadzi linę na bęben i minimalizuje uszkodzenia liny powstające w wyniku ścierania na mocowaniu wciągarki lub kołnierzach bębna.
6. System zespołu przekładni: Przekładnie redukujące przekształcają moc silnika wciągarki w bardzo duże siły uciążu.
7. Zewnętrzny układ hamulcowy: Hamowanie wciągarki następuje automatycznie, gdy silnik wciągarki zostaje zatrzymany lub lina stalowa jest obciążona. Osiąga się to za pomocą oddzielnego zewnętrznego hamulca mechanicznego, który działa hamująco. (Hamulce NIE zostały zaprojektowane jako urządzenia zabezpieczające, a lin wciągarki nigdy nie należy pozostawiać podłączonych, gdy pojazd / urządzenie jest transportowane).
8. Sprzęgło wolnego biegu: Sprzęgło umożliwia operatorowi ręczne odłączenie („CLUTCH OUT”) bębna nawijającego od przekładni zębatej. Nazywa się to wolnym biegiem. Włączenie sprzęgła („CLUTCH IN”) powoduje zablokowanie wciągarki w układzie przekładni.
9. Elektrozawór: Energia z akumulatora pojazdu przepływa przez odporny na warunki pogodowe przełącznik, następnie zostaje skierowana do silnika wciągarki.
10. Przewodowy zdalny przełącznik: Zdalne przełączniki mają podwójny przełącznik do włączania lub wyłączania bębna wciągarki. Dzięki pilotowi zdalnego sterowania możesz stać z dala od liny stalowej, gdy wciągarka jest obciążona.
11. Pilot bezprzewodowy (Dostarczane z wybranymi modelami): Został on zaprojektowany i oferowany wyłącznie do użytku „Offroad” lub „None Commercial” i nie jest objęty żadną ofertą gwarancyjną. Pozwala on operatorowi nieustannie kontrolować wciągarkę z odległości do 50 stóp (15 m).
12. Uniwersalny kanał do montażu na płaskim podłożu: (Opcjonalnie) Być może zakupiłeś wciągarkę z opcjonalnym kanałem do montażu na płaskim podłożu, który można zamontować na większości płaskich powierzchni, takich jak przyczepy, skrzynie ładunkowe, konstrukcje samochodów ciężarowych itp. Kanał montażowy ma również szereg otworów montażowych i otworów do zamocowania prowadnicy rolkowej.

13. Zblocze / zblocze otwierane: (Opcjonalnie) Jeśli wciągarka jest wyposażona w zblocze otwierane, które może podwoić siłę uciążu wciągarki lub zmienić kierunek wciągania bez uszkodzenia liny stalowej. Zalecamy użycie podwójnej liny i zblocza otwieranego w przypadku ciągnięcia powyżej 70% znamionowego uciążu liny.

WAŻNE INSTRUKCJE DOTYCZĄCE BEZPIECZEŃSTWA

NIEBEZPIECZEŃSTWO

NIE PRZEKRACZAĆ WYDAJNOŚCI ZNAMIONOWEJ.

TYLKO DO UŻYTKU PRZERYWANEGO – SCHŁADZAĆ POMIĘDZY UŻYCMIAMI.

NIE używać wciągarki do podnoszenia/przenoszenia ludzi lub żywych zwierząt.

Do ciągnięcia i utrzymywania obciążenia znamionowego konieczne jest co najmniej pięć owinięć liny wokół bębna. Zacisk liny został zaprojektowany do utrzymywania ładunku tylko pod warunkiem pięciokrotnego owinięcia liny wokół bębna (zwykle oznaczony na czerwono na końcu bębna kabla).

NIEBEZPIECZEŃSTWO

Zachowuj wobec siebie i innych **BEZPIECZNA ODLEGŁOŚĆ** od boku napiętej liny.

NIGDY nie stawaj ani nie przechodź nad liną ani w pobliżu obciążonej liny, zdecydowanie zaleca się używanie osłony wciągarki lub żagla.

NIE ruszaj pojazdem, ciągnąc ładunek (holując) na linie wciągarki. Może to spowodować zerwanie liny.

Odłącz przewody pilota i akumulatora, gdy nie są używane.

NIEBEZPIECZEŃSTWO

NIE NALEŻY przekraczać maksymalnego uciążu. Unikaj „wstrząsowego obciążenia”, używając w sposób przerywany zdalnego przełącznika, aby zlikwidować luz liny stalowej. „Obciążenie wstrząsowe” może znacznie przekroczyć udźwig znamionowy liny stalowej i bębna, co spowoduje uszkodzenie wciągarki i hamulca. Spowoduje to utratę gwarancji.

NIEBEZPIECZEŃSTWO

NIE używaj wciągarki jako urządzenia zabezpieczającego, ponieważ nie jest do tego przeznaczona; może to spowodować uszkodzenie wciągarki i hamulca oraz utratę gwarancji.

NIE przekraczaj maksymalnych wartości wskaźnika ciągnięcia liny pokazanych w tabelach.

NIE UŻYWAJ jako podnośnika. Nie używaj do podnoszenia nad głowę.

NIEBEZPIECZEŃSTWO

NIGDY nie przecinaj, nie spawaj ani nie zmieniaj żadnej części wciągarki ani liny. Spowoduje to utratę gwarancji

NIEBEZPIECZEŃSTWO

Podczas ponownego nawijania liny upewnij się, że lina jest nawinięta na szpulę tak, aby lina wchodziła do bębna od dołu, a nie od góry. Aby prawidłowo nawinąć szpulę, w rękawicach należy lekko naprężyć linkę, jednocześnie naciskając przycisk pilota, aby wciągnąć linę. Podchodząc do wciągarki, **NIGDY** nie dopuszczaj, aby lina wciągarki prześlizgnęła się przez palce lub dłonie.

NIE zbliżaj ręk na odległość mniejszą niż 30 cm od wciągarki podczas ponownego nawijania. Wyłącz wciągarkę i powtórz procedurę, aż zostanie kilka stóp liny. Odłącz zdalne sterowanie i dokończ nawijanie ręcznie, obracając ręcznie bęben przy zwolnionym sprzęgle. Trzymaj ręce z dala od prowadnicy i bębna, gdy wciągarka pracuje.

NIEBEZPIECZEŃSTWO

Nieprzeczytanie i niezrozumienie tych ostrzeżeń może spowodować obrażenia ciała i/lub uszkodzenie mienia.

Zawsze używaj rękawic, aby chronić ręce podczas manipulowania dowolnego rodzaju kablem/liną. Nigdy nie pozwól, aby lina prześlizgnęła Ci się przez ręce.

NIGDY nie podłączaj liny z powrotem do niej.

Zawsze zakładaj bloki/kliny/pasy na koła pojazdu/sprzętu podczas jazdy po pochyłości i podczas transportu.

Producent nie zezwala na żadne modyfikacje, zmiany ani odstępstwa od wciągarki i **NIE NALEŻY** ich dokonywać. Spowoduje to utratę gwarancji.

Czas wciągania powinien być jak najkrótszy. Jeśli silnik stanie się nieprzyjemnie gorący w dotyku, natychmiast przerwij wciąganie i pozwól mu ostygnąć przez około 8 minut. Nie używaj wciągarki przez dłużej niż dwie minuty przy maksymalnym obciążeniu znamionowym (lub około tej wartości), po tym czasie wymagana jest przerwa 8 minut.

NIEBEZPIECZEŃSTWO

Jeśli silnik zgaśnie, **NIE NALEŻY** kontynuować wciągania. Wciągarki elektryczne są zaprojektowane i wykonane do użytku przerywanego i powinny być używane w połączeniu z ich cyklami pracy.

NIGDY nie zwalnij sprzęgła wolnego biegu, gdy na wciągarcie znajduje się ładunek, ponieważ ładunek stoczy się do tyłu.

Podczas manipulowania hakiem w celu nawijania lub rozwijania liny stalowej należy używać haka Hand Saver (zwalnającego ręce).

UWAGA

Wciągarka i wszystkie jej typy pochodne są zaprojektowane dla nominalnej wydajności podczas nawijania pierwszej warstwy liny na bęben. Przeciążenie może uszkodzić wciągarkę / silnik / lub linę stalową.

W przypadku obciążeń przekraczających 70% znamionowego uciążu liny zalecamy użycie zblocza / zblocza otwieranego w celu podwojenia liny stalowej i zmniejszenia naprężenia. Pomoże to na dwa sposoby: zmniejszy to liczbę warstw liny na bębnie i zmniejszy obciążenie liny nawet o 50%. Podwajając linę z powrotem do pojazdu, przymocuj do ramy lub innej części nośnej.

UWAGA

Silnik pojazdu powinien być włączony podczas pracy wciągarki, aby zminimalizować zużycie akumulatora i zmaksymalizować moc i prędkość wciągarki. Jeśli wciągarka jest używana przez dłuższy czas przy wyłączonym silniku, akumulator może być wyczerpany i zbyt słaby, aby ponownie uruchomić silnik. Jeśli tak się stanie, natychmiast zaprzestań ciągnięcia, uruchom pojazd i ponownie naładuj akumulator.

UWAGA

Poznaj swoją wciągarkę, zanim będziesz musiał jej użyć. Zalecamy wykonanie kilku testów w celu zapoznania się z technikami manipulacji, odgłosami wydawanymi przez wciągarkę przy różnych obciążeniach oraz sposobem, w jaki lina nawija się na bęben itp.

SPRAWDŹ linę stalową i sprzęt przed każdym użyciem. Wystrzępioną lub uszkodzoną linę należy natychmiast wymienić. Używaj tylko identycznej liny zamiennej producenta o tych samych parametrach. (Liny nie są objęte żadną ofertą gwarancyjną)

Przed każdą operacją SPRAWDŹ montaż wciągarki i śruby, aby upewnić się, że wszystkie śruby są dokręcone.

UWAGA

Przechowuj pilota zdalnego sterowania w pojeździe lub w bezpiecznym miejscu.

Nigdy nie podłączaj liny wciągarki z powrotem do niej. Spowoduje to uszkodzenie kabla. Zawsze używaj zbloca, zbloca otwieranego, zawiesia lub łańcucha o odpowiedniej wytrzymałości, jak pokazano na ilustracjach.

UWAGA

Każda wciągarka, która wydaje się wadliwa, uszkodzona, zużyta lub działa nieprawidłowo, MUSI BYĆ WYCOFANA Z EKSPLOATACJI DO CZASU NAPRAWY, WYMIANY LUB REMONTU. Zaleca się, aby niezbędne naprawy BYŁY wykonywane WYŁĄCZNIE przez autoryzowany punkt naprawczy producenta.

UWAGA

Ciągnąć tylko za części pojazdu określone przez producenta pojazdu.

- Należy używać wyłącznie akcesoriów, przystawek i/lub adapterów dostarczonych przez producenta.

OSTROŻNIE

Podczas korzystania z narzędzia należy zawsze przestrzegać podstawowych zasad bezpieczeństwa, aby zmniejszyć ryzyko obrażeń ciała i uszkodzenia sprzętu. Przeczytaj wszystkie te instrukcje przed użyciem tego narzędzia!

OSTRZEŻENIE

Trzymaj z daleka od dzieci. Nigdy nie wolno dopuszczać dzieci do obszaru roboczego, ani pozwalać im obsługiwać maszyn, narzędzi, przedłużaczy i tego narzędzia.

OSTRZEŻENIE

Przechowuj nieużywany sprzęt. Gdy narzędzia nie są używane, należy je przechowywać w suchym miejscu, aby zapobiec rdzewieniu. Zawsze zamykaj narzędzia i przechowuj je poza zasięgiem dzieci.

OSTROŻNIE

Ubieraj odpowiedni strój. Nie noś luźnych ubrań ani biżuterii, ponieważ mogą one zostać wciągnięte przez ruchome części. Podczas pracy zaleca się odzież ochronną nieprzewodzącą prądu elektrycznego oraz obuwie antypoślizgowe. Noś nakrycie głowy, aby ukryć pod nim długie włosy.

OSTRZEŻENIE

Stosuj ochronę oczu i uszu. Zawsze noś okulary chroniące przed uderzeniami. Dbaj o pełną osłonę twarzy, jeśli wytwarzasz opłiki metalu lub wióry drewniane. Noś maskę przeciwpyłową lub respirator podczas pracy w pobliżu metalowych, drewnianych i chemicznych pyłów lub mgieł.

OSTROŻNIE

Ostrożnie konserwuj tę wciągarkę. Utrzymuj to narzędzie w stanie suchym i czystym, aby zapewnić jego lepszą i bezpieczniejszą pracę. Postępuj zgodnie z instrukcjami dotyczącymi smarowania i wymiany akcesoriów. Okresowo sprawdzaj linę wciągarki, a jeśli jest ona uszkodzona, zleć jej natychmiastową wymianę autoryzowanemu technikowi. Uchwyty muszą być zawsze czyste, suche i wolne od oleju i smaru.

Odłącz zdalny przełącznik, gdy nie jest on używany.

NIEBEZPIECZEŃSTWO

Zachowaj czujność, uważaj, co robisz, kieruj się zdrowym rozsądkiem. Nie obsługuj żadnego narzędzia, gdy czujesz zmęczenie.

OSTRZEŻENIE

Sprawdź, czy nie ma uszkodzonych części. Przed użyciem tej wciągarki należy dokładnie sprawdzić wszystkie części, które wydają się zużyte lub uszkodzone, aby określić, czy będzie ona działać prawidłowo i zgodnie z przeznaczeniem. Sprawdź, czy nie ma uszkodzeń, w tym wyrównania, zakleszczenia ruchomych części; uszkodzenia mocowania. Każda uszkodzona część powinna zostać odpowiednio naprawiona lub wymieniona przez specjalistę. Nie używaj narzędzia, jeśli któryś z przełączników nie włącza i nie wyłącza się prawidłowo.

⚠️ OSTRZEŻENIE

Części zamienne i akcesoria. Podczas naprawy lub serwisowania należy używać wyłącznie identycznych części zamiennych. Użycie jakichkolwiek innych części spowoduje utratę gwarancji.

⚠️ OSTRZEŻENIE

Nie obsługuj narzędzia, jeśli jesteś pod wpływem alkoholu lub narkotyków. Przeczytaj etykiety ostrzegawcze na receptach, aby określić, czy twój zmysł postrzegania lub refleks są osłabione podczas przyjmowania leków. W razie jakichkolwiek wątpliwości nie używaj narzędzia.

⚠️ NIEBEZPIECZEŃSTWO

Trzymaj ręce i ciało z dala od szczeliny wlotu liny podczas pracy. Zawsze unieruchamiaj pojazd przed użyciem wciągarki.

⚠️ OSTRZEŻENIE

Upewnij się, że wciągarka jest odpowiednio przykręcona do konstrukcji (lub pojazdu), która jest w stanie utrzymać maksymalne obciążenie znamionowe wciągarki.

Nie używaj nieodpowiednich przystawek w celu przedłużania liny wciągarki.

⚠️ NIEBEZPIECZEŃSTWO

Nigdy nie podnoś ludzi, ciężarów nad nimi ani żywych zwierząt. Nigdy podczas pracy nie wchodzi pomiędzy wciągarkę a ładunek.

⚠️ OSTRZEŻENIE

Nie obciążaj wciągarki, gdy lina jest całkowicie wysunięta poza znak bezpieczeństwa. Zachowaj co najmniej 5 pełnych zwojów liny na szpuli (zwykle oznaczone jest to czerwonym kolorem na linie wyciągarki na końcu bębna).

Po przeniesieniu jakiegokolwiek elementu wyposażenia za pomocą wciągarki należy zabezpieczyć sprzęt na miejscu. Nie polegaj na wyciągarce, która utrzymuje ciężar przez dłuższy czas ani podczas transportu. Wciągarki nie są urządzeniami zabezpieczającymi. Działanie takie spowoduje utratę gwarancji.

⚠️ OSTROŻNIE

Skontroluj wciągarkę przed użyciem. Elementy mogą ulec uszkodzeniu w wyniku kontaktu z chemikaliami, solami i rdzą.

Nie przechodź na drugą stronę ani pod liną wciągarki, gdy jest ona obciążona.

Używaj rękawic podczas obsługi liny.

⚠️ OSTRZEŻENIE

Nigdy nie używaj wciągarki, jeśli lina wykazuje jakiegokolwiek oznaki osłabienia, takie jak splątanie lub zagięcie. Jeśli wykazuje, musisz ją niezwłocznie wymienić.

⚠️ NIEBEZPIECZEŃSTWO

Nie poruszaj pojazdem z wyciągniętą liną i przymocowaną do ładunku. W ten sposób możesz łatwo przekroczyć limit obciążenia wciągarki i zerwać linę.

Gdy pojazd jest zaparkowany na pochyłości, należy użyć klinów pod koła.

⚠️ OSTROŻNIE

Zawsze starannie nawijaj linę po każdym użyciu, co pozwoli uniknąć niewspółosiowości liny wyciągarki.

⚠️ OSTROŻNIE

Lina wciągarki musi być nawinięta na bęben pod obciążeniem równym co najmniej 10% znamionowego uciążu liny, w przeciwnym razie owijki zewnętrzne wciągną się w owijki wewnętrzne i uszkodzą linę wciągarki.

Przed użyciem wciągarki pod obciążeniem należy sprawdzić poprawność jej działania poprzez włączanie i wyłączanie sprzęgła, operowanie kontrolkami kierunku i prędkości. Zapewni to prawidłowe działanie wciągarki i pomoże zapobiec niezamierzonym uszkodzeniom i obrażeniom. Cykliczna praca wciągarki przed załadunkiem zapewni również prawidłowe ustawienie kół zębatych.

⚠️ OSTROŻNIE

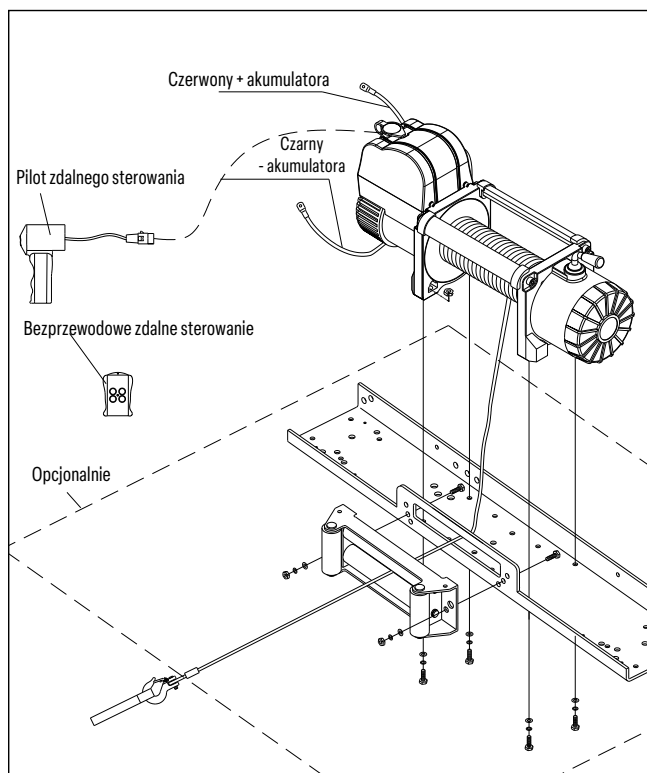
Akumulatory zawierają gazy, które są łatwopalne i wybuchowe. Podczas instalacji należy nosić okulary ochronne i zdjąć całą biżuterię. Nie pochylaj się nad akumulatorem podczas podłączania.

⚠️ WARNING

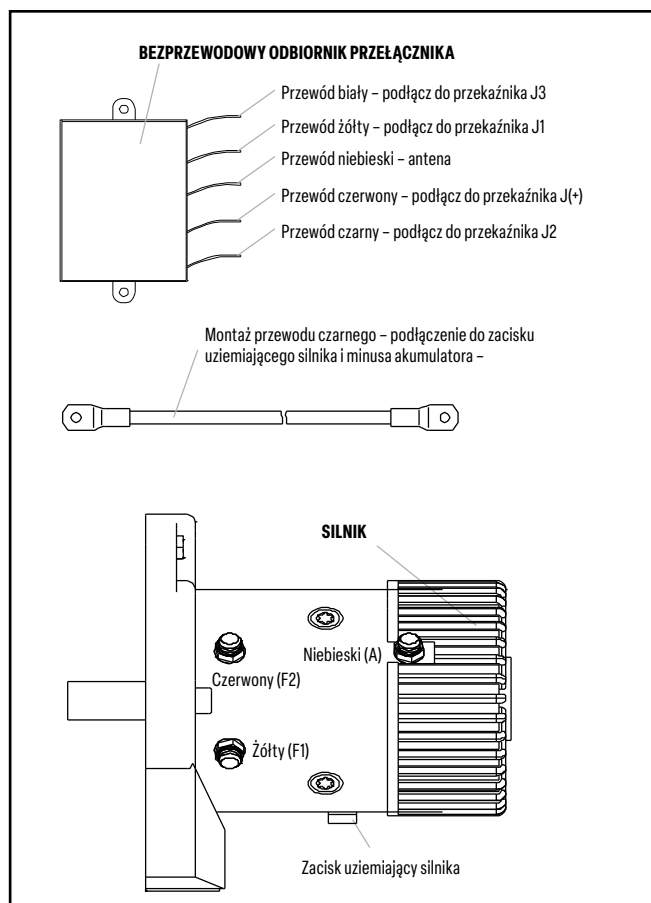
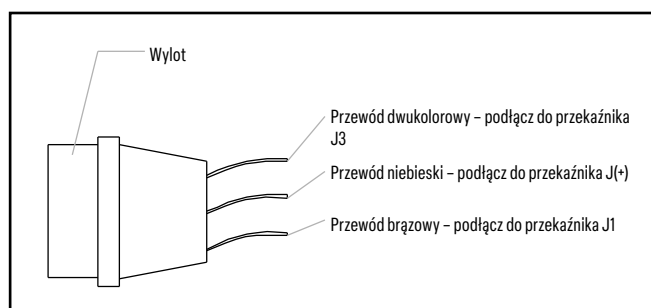
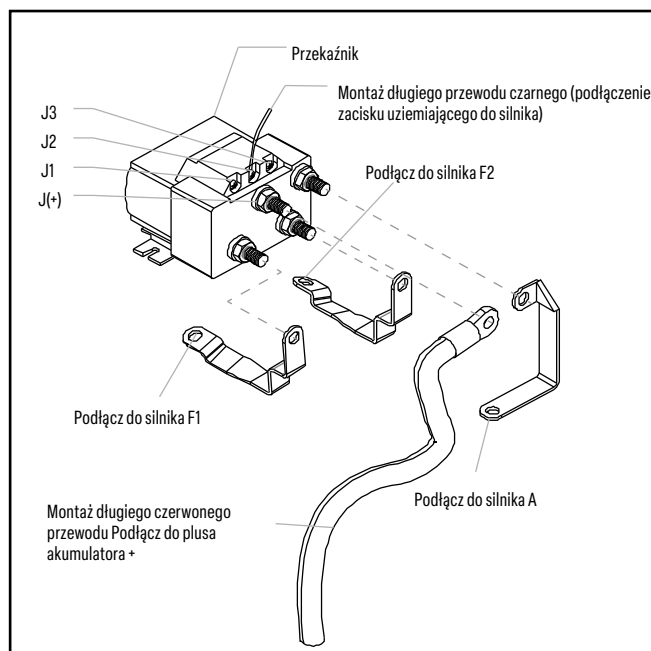
Zaleca się zainstalowanie odłącznika akumulatora w celu ochrony pojazdu, sprzętu i użytkownika przed niebezpiecznymi sytuacjami. Jeśli taki nie jest dostarczony, zaleca się jego zakup i zainstalowanie przed uruchomieniem wyciągarki.

Niezainstalowanie odłącznika akumulatora lub wyłącznika bezpieczeństwa może spowodować uszkodzenie pojazdu, wyposażenia i (lub) operatora oraz unieważnienie jakiegokolwiek oferowanej gwarancji.

MONTAŻ WCIĄGARKI



1. Twoja wciągarka jest zaprojektowana z rozstawem śrub, który jest standardem w tej klasie wciągarek. Dostępnych jest wiele zestawów montażowych wciągarek, które wykorzystują ten standard śrub dla najpopularniejszych pojazdów i kanałów montażowych. Jeśli nie możesz znaleźć zestawu w swojej okolicy, skontaktuj się z nami, a podamy Ci nazwę najbliższego sprzedawcy. Jeśli używasz kanału montażowego, musisz upewnić się, że jest on zamontowany na płaskiej powierzchni, tak aby trzy główne sekcje (silnik, bęben i obudowa przekładni) były odpowiednio wyrównane. Właściwe ustawienie wciągarki pozwoli na równomierne rozłożenie pełnego obciążenia znamionowego i zmniejszy ryzyko uszkodzenia wciągarki lub sprzętu. Niewłaściwa instalacja przyczynia się do około 90% uszkodzeń sprzętu lub wciągarki.
2. Rozpocznij od podłączenia prowadnicy rolki do kanału montażowego za pomocą 2 śrub z łbem walcowym M10 X 35, podkładek płaskich, podkładek zabezpieczających i zabezpieczenia nakrętką M10. (Upewnij się, że śruba przechodzi przez kanał montażowy i prowadnicę rolki od wewnątrz kanału. Zapewni to wystarczający prześwit, aby wciągarka mogła zostać umieszczona bez przeszkód w kanale.)
3. Zamontuj wciągarkę na (opcjonalnym) kanale montażowym, najpierw pociągając i zwalnając gałkę sprzęgła do pozycji „Out” (swobodne nawijanie). Wyciągnij linę z bębna na kilka cali i przeprowadź pętlę liny przez otwór z przodu kanału montażowego i prowadnicę rolki. Teraz za pomocą pozostałych śrub z łbem walcowym M10 x 35, płaskiej podkładki, podkładki zabezpieczającej i nakrętki M10 przymocuj wciągarkę do kanału montażowego.
4. Podłącz przewody akumulatora i silnika zgodnie z powyższym rysunkiem. Pamiętaj, że każdy typ wciągarki jest inny.
5. Podłącz silnik wciągarki w sposób opisany poniżej:



⚠ PRZESTROGA

Akumulatory zawierają gazy, które są łatwopalne i wybuchowe. Podczas instalacji należy nosić okulary ochronne i zdjąć całą biżuterię. Nie pochylaj się nad akumulatorem podczas podłączania.

- Zamontuj hak widelkowy na linie. Zdejmij sworzeń z haka widelkowego, podłącz hak widelkowy do liny i zamontuj sworzeń z powrotem na haku widelkowym.
- Zawsze używaj haka Hand Saver (opcja) podczas swobodnego nawijania i ponownego nawijania liny. Dzięki Hand Saver trzymasz dłoń i palce z dala od obracającego się bębna.
- Sprawdź, czy bęben obraca się prawidłowo. Pociągnij lub obróć gałkę sprzęgła do pozycji „OUT” „Disengage” (swobodne przewijanie). Wyciągnij trochę liny z bębna, a następnie przekręć gałkę sprzęgła do pozycji „IN” „Engage”, aby włączyć przekładnię. Naciśnij przycisk wyjścia liny na zdalnym przełączniku. Jeśli bęben obraca się i uwalnia linę, oznacza to, że połączenia są prawidłowe. Jeśli bęben obraca się i zbiera więcej liny, odwróć przewody na silniku. Powtórz i sprawdź obrót.

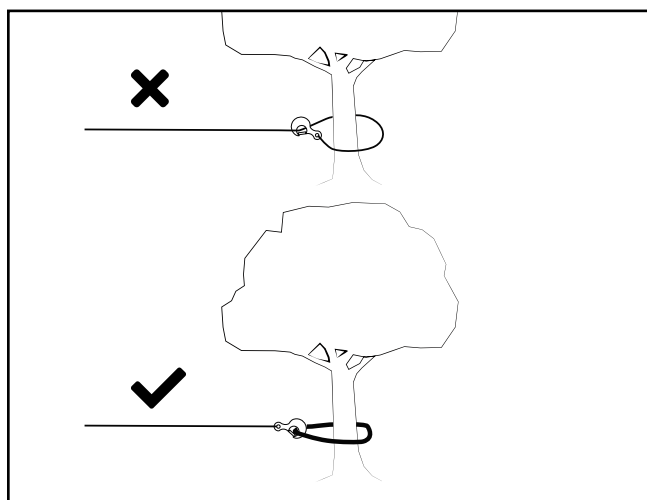
TECHNIKI MANIPULOWANIA

Znajdź odpowiedni punkt zakotwiczenia, na przykład mocny pień drzewa lub głąz.

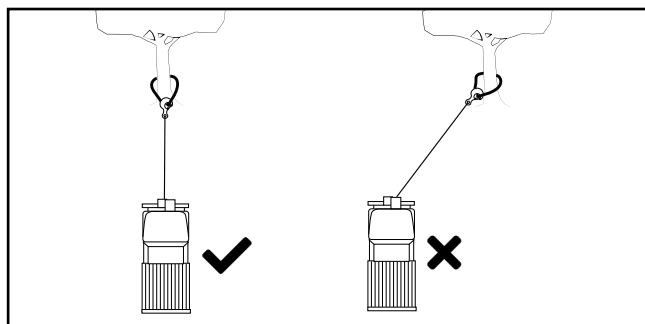
ZAWSZE używaj zawiesia lub paska jako punktu zaczepienia na obiekcie. Nigdy nie używaj liny ani haka jako punktu zaczepienia przymocowanego do przedmiotu.

⚠ PRZESTROGA

NIGDY nie mocuj haka widelkowego z powrotem do liny wciągarki, ponieważ może to spowodować uszkodzenie liny.

**⚠ PRZESTROGA**

Nie wciągaj pod ostrym kątem, ponieważ lina stalowa zakleszczy się po jednej stronie bębna, powodując uszkodzenie liny (zagnieżdżenie) i poważne uszkodzenie wciągarki i ewentualnie sprzętu.

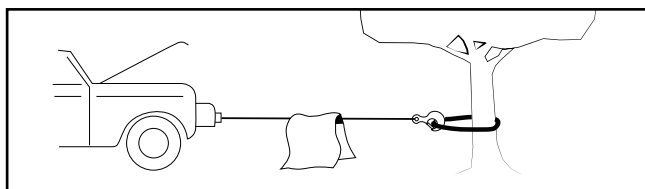
**🗨 UWAGA**

Można krótko pociągnąć pod kątem w celu wyprostowania pojazdu/sprzętu. Długość pociągnięcia należy wykonywać z liną stalową w linii prostej do wciągarki/pojazdu, patrz ilustracja powyżej.

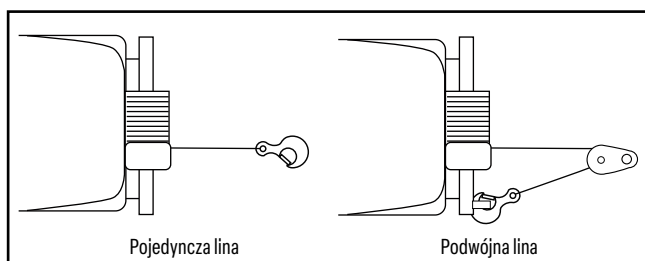
⚠ PRZESTROGA

Podczas ciągnięcia ciężkiego ładunku umieść koc lub kurtkę na linie stalowej pięć lub sześć stóp (1,5 – 2 m) od haka, ponieważ w przypadku zerwania liny zamortyzuje ona siłę.

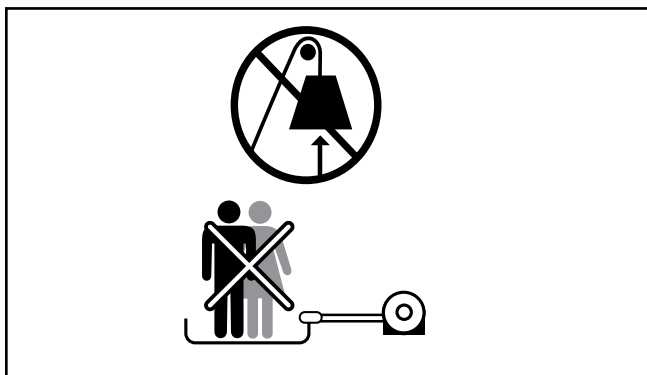
Aby uzyskać dodatkową ochronę, otwórz maskę pojazdu, jak pokazano na rysunku.

**🗨 UWAGA**

W przypadku naciągów przekraczających 70% znamionowego uciążu liny, zalecamy użycie zbloca otwieranego/zbloca do podwojenia liny stalowej. Zmniejsza to obciążenie wciągarki i liny.

**⚠ NIEBEZPIECZEŃSTWO**

Nigdy nie używaj wciągarki do podnoszenia lub przemieszczania ludzi lub żywych zwierząt.



TECHNIKI WCIĄGANIA A-Z

- Poświęć trochę czasu na ocenę swojej sytuacji i zaplanuj wciąganie.
- Załóż rękawice, aby chronić ręce.
- W miarę możliwości zwolnij sprzęgło, aby umożliwić swobodny bieg i oszczędzać energię akumulatora.
- (Jeśli jest w zestawie) Zamocuj hak Hand Saver (chroniący dłonie) do haka widelkowego.
- Bezpiecznie wyciągnij linę stalową dożądanego punktu kotwienia.
- Zamocuj hak widelkowy w punkcie kotwienia: Zawiesie, łańcuch lub zbrocze otwierania. Nie przyczepiaj haka z powrotem do liny stalowej.
- Włącz sprzęgło.
- Podłącz przewód zdalnego sterowania do wciągarki.
- Uruchom silnik, aby zapewnić zasilanie akumulatora pojazdu.
- Naciągnij prowadnicę liny prowadzącą linę w celu naciągnięcia luzu w linie. Kiedy lina jest już naprężona, stań w bezpiecznej odległości. Nigdy nie stawaj ani nie przechodź nad napiętą liną stalową.
- Dokładnie sprawdź kotwy i upewnij się, że wszystkie połączenia są bezpieczne.
- Sprawdź linę stalową. Upewnij się, że na bęben wciągarki jest nawinięte co najmniej 5 zwojów liny stalowej (zwykle zaznaczone na czerwono).
- Rozłóż koc lub żagiel (sprzedawany oddzielnie) na linie stalowej w odległości około 5 do 6 stóp (1,5 – 2 m) od haka. Otwórz maskę, aby uzyskać dodatkową ochronę.
- Nakaż osobom postronnym opuścić teren. Upewnij się, że wszystkie osoby czy gapie są daleko z tyłu, i że nikt nie znajduje się bezpośrednio przed lub za pojazdem lub punktem kotwienia.
- Rozpocznij wciąganie. Upewnij się, że lina stalowa jest owinięta równomiernie i ciasno wokół bębna. W razie potrzeby można powoli jechać pojazdem, który jest wciągany, aby wspomóc proces wciągania. Unikaj obciążenia wstrząsowego; utrzymuj linę stalową w naprężeniu.
- Pojazd, który ma być wciągnięty, powinien być ustawiony w położeniu neutralnym i mieć zwolniony hamulec awaryjny. Zwalniaj pedał hamulca tylko przy pełnym napięciu. Unikaj obciążenia wstrząsowego wciągarki. Może to spowodować uszkodzenie wciągarki, liny i pojazdu.
- Wciągarka jest przeznaczona do użytku przerywanego. Przy pełnym obciążeniu z zestawem z pojedynczą liną nie włączaj zasilania na dłużej niż 8 minut, następnie wyłącz silnik na kilka minut do ostygnięcia i wznów operację wciągania.
- Operacja wciągania jest zakończona, gdy pojazd stoi na stabilnym podłożu i/lub może jechać o własnym napędzie.
- Zabezpiecz pojazd. Pamiętaj o zaciągnięciu hamulców i zaparkowaniu pojazdu.

t. Zwolnij napięcie liny stalowej. Wciągarka NIE jest zaprojektowana jako urządzenie zabezpieczające i NIGDY nie powinna utrzymywać ładunku ani zabezpieczać podczas transportu; lina wciągarki MUSI zostać zwolniona, gdy sprzęt lub pojazd są zabezpieczone. Nieprzestrzeganie tego zalecenia może spowodować uszkodzenie hamulca i wciągarki oraz utratę gwarancji.

- Odłącz linę stalową od zakotwienia i NIGDY nie zostawiaj jej podłączonej.
- Zwiń linę stalową. Upewnij się, że drut znajdujący się już na bębnie jest ciasno i równo nawinięty na szpulę. Jeśli nie jest, wyciągnij drut i ponownie nawiń szpulę od miejsca, w którym lina jest napięta.
- Trzymaj ręce z dala od bębna wciągarki i przewodnicy podczas wciągania liny.
- Zamocuj hak i pasek haka.
- Odłącz przewód zdalnego sterowania i złóż go w czystym, suchym miejscu.
- Oczyść i sprawdź połączenia i elementy mocujące przed następnym użyciem wciągarki.

KONSERWACJA

- Okresowo sprawdzaj dokręcenie śrub mocujących i połączeń elektrycznych. Usuwać wszelkie zabrudzenia lub korozję i zawsze utrzymuj urządzenie w czystości.
- Nie próbuj demontować skrzyni biegów. Naprawy powinny być wykonywane przez producenta lub autoryzowany serwis.
- Skrzynia biegów została nasmarowana wysokotemperaturowym smarem litowym i jest fabrycznie uszczelniona. Nie jest wymagane wewnętrzne smarowanie.

WYMIANA LINY

Jeśli lina stalowa jest zużyta lub zaczyna wykazywać oznaki wystrzępienia, należy ją wymienić przed ponownym użyciem.

- Ustaw sprzęgło w pozycji „CLUTCH OUT” („SPRZĘGŁO WYŁĄCZONE”).
- Rozwiń linę na pełną długość. Zwróć uwagę na to, jak obecna lina jest podłączona do bębna.
- Usuń starą linę i podłącz nową w taki sposób, jak stara lina jest podłączona do bębna. Włóż koniec nowej liny i przykręć śrubę M8x10.
- Upewnij się, że nowa lina jest zwinęta w tym samym kierunku co stara. Lina powinna wychodzić z bębna od dołu, pod bębniem. (Rozwijanie z dołu).
- Ustaw sprzęgło w pozycji „CLUTCH IN” („SPRZĘGŁO WŁĄCZONE”).
- Nawiń linę wciągarki na bęben, przez pierwsze pięć owinięć uważaj, aby nie dopuścić do załamań, następnie linę wciągarki należy nawinąć na bęben pod obciążeniem wynoszącym co najmniej 10% znamionowego uciążu liny.

OSTRZEŻENIE

W przypadku wymiany liny stalowej należy używać wyłącznie identycznych części zamiennych zalecanych przez producenta. Liny stalowe lub syntetyczne NIE są objęte żadną ofertą gwarancyjną, a właściciel lub użytkownik ponosi wyłączną odpowiedzialność za konserwację i wymianę w razie potrzeby.

ROZWIĄZYWANIE PROBLEMÓW

Problem	Przyczyna	Rozwiązanie
Silnik nie włącza się	Zespół zdalny nie jest prawidłowo podłączony	Sprawdź zdalny przewód i połączenia.
	Poluzowane połączenia kabli akumulatora	Sprawdź akumulator i połączenia.
	Wadliwy zespół zdalny	Wymień zespół zdalnego przewodu.
	Uszkodzony silnik	Sprawdź napięcie w porcie twornika przy wciśniętym przełączniku. Jeśli nie ma napięcia, wymień silnik.
	Woda dostała się do silnika	Pozostawić do odsączenia i wyschnięcia. Uruchom wciągarkę aż do całkowitego wyschnięcia.
Silnik pracuje, ale bęben się nie obraca.	Sprzęgło nie jest włączone.	Przekręć sprzęgło do pozycji „In”. Jeśli problem będzie się powtarzał, poproś technika o sprawdzenie i naprawę.
Silnik pracuje wolno lub bez normalnej mocy	Niewystarczający prąd lub napięcie	Używaj wciągarki podczas pracy silnika pojazdu
Przegrzanie silnika	Zbyt długa praca wciągarki	Od czasu do czasu pozwól wciągarcie ostygnąć.
Silnik pracuje tylko w jednym kierunku	Luźny lub skorodowany kabel akumulatora lub połączenia kabla silnika.	- Oczyszczyć i dokręcić - Napraw lub wymień zespół przełączników.
Awaria hamulca wciągarki	Lina biegnie w złym kierunku	Dostosuj kierunek pracy kabla
	Zużyta lub uszkodzona tarcza hamulca	Wyreguluj kąt hamowania lub wymień na nową tarczę hamulca

GWARANCJA*

BPE Limited jest wyłącznym dystrybutorem WARRIOR WINCHES.

BPE („sprzedawca” lub rozwiązaniaw zakresie wciągarek) gwarantuje wyłącznie pierwotnemu nabywcy detalicznemu („Kupujący”), że jakikolwiek element mechaniczny oryginalnej wyciągarki WARRIOR WINCH („produkt”) jest wolny od wad materiałowych i wykonawczych przez cały okres eksploatacji wyciągarki.

Komponenty elektryczne (w tym silnik, stycznik i przełączniki) będą wolne od wad materiałowych i wykonawczych przez okres (3) trzech lat (36 miesięcy) od możliwej do udowodnienia daty zakupu pierwotnego zakupu. Każdy produkt, który BPE Limited uzna za wadliwy, zostanie naprawiony lub wymieniony według wyłącznego uznania BPE Limited bez opłat dla Kupującego, pod warunkiem przestrzegania przez Kupującego tej procedury. Sprzedawca lub jego autoryzowany przedstawiciel może pobierać uzasadnione opłaty za części i robociznę w przypadku napraw nieobjętych niniejszą ograniczoną gwarancją wieczystą. Gwarancje określone w niniejszym dokumencie są wyłączne i zastępują wszelkie inne gwarancje, ustne lub pisemne, wyraźne lub dorozumiane.

Co w sytuacji, gdy produkt ulegnie uszkodzeniu w okresie gwarancyjnym?

Aby uzyskać serwis lub naprawę w ramach niniejszej gwarancji, Kupujący wyśle pocztą, za pomocą firmy spedycyjnej lub w inny sposób dostarczy na adres producenta na koszt Kupującego; (1) Produkt, (2) pisemny opis problemu, (3) imię i nazwisko, adres i numer kontaktowy Kupującego, (4) kopię oryginalnego dowodu zakupu, lub też BPE Limited może zorganizować odpowiedni sposób odbioru (obowiązują opłaty).

Wyłączenia z gwarancji

Gwarancja nie obejmuje kosztów robocizny ani kosztów transportu/ wysyłki związanych z wymianą lub montażem wadliwych części.

Niniejsza gwarancja nie obejmuje wad Produktu spowodowanych przez; (1) normalne zużycie, (2) nieprzestrzeganie warunków instalacji, konserwacji lub narażenie produktu na obciążenia przekraczające obciążenia opisane/wymienione w instrukcji obsługi lub wyszczególnione na stronie internetowej Sprzedającego, (3) zmiany lub modyfikacje dokonane przez strony inne niż producent, (4) niewłaściwe użycie, nadużycie, zaniedbanie, wypadki, siłę wyższą, terroryzm lub (5) niewłaściwe użycie przedmiotu, niezgodnie z instrukcją obsługi (7) inne przyczyny pozostające poza kontrolą Sprzedającego po dostarczeniu Produktu do Autoryzowanego Agenta Sprzedającego.

Inne wyłączenia

Niniejsza gwarancja nie obejmuje lin stalowych, lin syntetycznych, przewodnic, pilotów bezprzewodowych ani żadnych wykończeń zewnętrznych po upływie trzydziestu (30) dni od zakupu.

BPE Limited nie ponosi odpowiedzialności za jakiegokolwiek szkody pośrednie lub wtórne. Te szkody następcze mogą obejmować między innymi utratę zysków lub utratę możliwości użytkowania, przestoje lub uszkodzenie sprzętu innej osoby (innych osób).

BPE Limited zastrzega sobie prawo do zmiany projektu Produktu bez powiadomienia. BPE Limited zastrzega sobie prawo do wymiany dowolnej części lub całego urządzenia na nowszy projekt o tym samym działaniu.

DANE TECHNICZNE S8000

Nominalny udźwig liny	8000 lbs (3628kg)	
Przełożenie przekładni redukcyjnej	196:1	
Silnik	12V: Input: 4.3Kw/ 5.8hp Output: 2.0kW/ 2.7hp 24V: Input: 5.5Kw/ 7.4hp Output: 2.8kW/ 3.8hp	
Ogólne wymiary	559 mm × 160mm × 248mm (22" × 6.3" × 9.8")	
Rozmiar bębna	Ø63mm × 223 mm (Ø2.48 " × 8.8 ")	
Kabel	Lina syntetyczna	Lina stalowa
	Ø8mm × 25m (Ø0.31" × 82')	Ø8.3mm × 29m (Ø0.32" × 95')
Waga netto	Lina syntetyczna	Lina stalowa
	28kg (61.7 lbs)	39kg (85.9 lbs)

Ciągnięcie, prędkość, ampery, wolty (pierwsza warstwa):

Ciągnięcie liny	Prędkość liny stopy/min (m/min)	Prąd A
lbs (kgs)	12V DC	12V DC
0	36(11.0)	50
2000 (900)	17.4(5.3)	125
4000 (1800)	13.1(4.0)	200
6000 (2700)	10.5(3.2)	260
8000 (3600)	8.2(2.5)	310

Ciągnięcie linii i pojemność liny w warstwie

Warstwa	Znamionowa siła uciążu liny w funtach (kg)	Całkowita lina na bębnie w stopach (m)
1	8000 (3628)	21.3 (6.5)
2	6620 (3002)	46.9 (14.3)
3	5650 (2562)	77.1 (23.5)
4	4920 (2231)	95.1 (29)

DANE TECHNICZNE S9500SD

Nominalny udźwig liny	9500 lbs (4300kg)	
Przełożenie przekładni redukcyjnej	196:1	
Silnik	12V:Input: 4.6Kw / 6.1hp Output: 2.1kW / 2.8hp 24V:Input: 5.8Kw / 7.8hp Output: 2.8kW / 3.8hp	
Ogólne wymiary	456 mm ×160mm ×248mm (18"×6.3"×9.8")	
Rozmiar bębna	Ø63mm×120 mm (Ø2.48 "×4.7 ")	
Kabel	Lina syntetyczna	Lina stalowa
	Ø9.5mm×15m (Ø0.37"×49.2 ')	Ø9.2mm×14m (Ø0.36"×45.9 ')
Waga netto	Lina syntetyczna	Lina stalowa
	27kg (59.5 lbs)	32kg (70.5 lbs)

Ciągnięcie, prędkość, ampery, wolty (pierwsza warstwa):

Ciągnięcie liny	Prędkość liny stopy/min (m/min)	Prąd A
lbs (kgs)	12V DC	12V DC
0	36 (11.0)	50
2000 (900)	17.4 (5.3)	120
3000 (1360)	15.4 (4.7)	150
6000 (2700)	10.5 (3.2)	260
8000 (3600)	8.2 (2.5)	300
9500 (4300)	6.5 (2.0)	355

Ciągnięcie linii i pojemność liny w warstwie

Warstwa	Znamionowa siła uciążu liny w funtach (kg)	Całkowita lina na bębnie w stopach (m)
1	9500 (4309)	9.8(3.0)
2	7600 (3447)	24.6 (7.5)
3	6200 (2812)	42.7(13.0)
4	5400 (2449)	45.9 (14.0)

DANE TECHNICZNE S9500

Nominalny udźwig liny	9500 lbs (4309kg)	
Przełożenie przekładni redukcyjnej	196:1	
Silnik	12V:Input: 4.6Kw / 6.1hp Output: 2.1kW / 2.8hp 24V:Input: 5.8Kw / 7.8hp Output: 2.8kW / 3.8hp	
Ogólne wymiary	559 mm ×160mm ×248mm (22"×6.3"×9.8")	
Rozmiar bębna	Ø63mm×223 mm (Ø2.48 "×8.8 ")	
Kabel	Lina syntetyczna	Lina stalowa
	Ø9.5mm×25m (Ø0.37"×82')	Ø9.2mm×26m (Ø0.36"×85.3')
Waga netto	Lina syntetyczna	Lina stalowa
	30kg (66.1 lbs)	40kg (88.1 lbs)

Ciągnięcie, prędkość, ampery, wolty (pierwsza warstwa):

Ciągnięcie liny	Prędkość liny stopy/min (m/min)	Prąd A
lbs (kgs)	12V DC	12V DC
0	36 (11.0)	50
2000 (900)	17.4 (5.3)	120
3000 (1300)	15.4 (4.7)	150
6000 (2700)	10.5 (3.2)	260
8000 (3600)	8.2 (2.5)	300
9500 (4300)	6.5 (2.0)	355

PL

Ciągnięcie linii i pojemność liny w warstwie

Warstwa	Znamionowa siła uciągu liny w funtach (kg)	Całkowita lina na bębnie w stopach (m)
1	9500 (4309)	18 (5.5)
2	7600 (3447)	39.4 (12)
3	6200 (2812)	64 (19.5)
4	5400 (2449)	85 (26.0)

DANE TECHNICZNE S12000

Nominalny udźwig liny	12000 lbs (5443g)	
Przełożenie przekładni redukcyjnej	253:1	
Silnik	12V: Input: 5.0Kw / 6.7hp Output: 3.2hp / 2.4kW 24v: Input: 6.0Kw / 8.0hp Output: 4.2hp / 3.1kW	
Ogólne wymiary	559 mm ×160mm ×248mm (22"×6.3"×9.8")	
Rozmiar bębna	Ø63mm×223 mm (Ø2.48 "×8.8 ")	
Kabel	Lina syntetyczna	Lina stalowa
	Ø11mm×25m (Ø0.43"×82 ')	Ø10.2mm×25.5m (Ø0.4"×83.6 ')
Waga netto	Lina syntetyczna	Lina stalowa
	32kg (70.5 lbs)	44kg (97 lbs)

Ciągnięcie, prędkość, ampery, wolty (pierwsza warstwa):

Ciągnięcie liny	Prędkość liny stopy/min (m/min)		Prąd A	
	lbs (kgs)	12V DC	24V DC	12V DC
0	27.9 (8.5)	36.1 (11.0)	45	30
6000 (2700)	11.5 (3.5)	12.1 (3.7)	200	130
8000 (3600)	8.2 (2.5)	10.5 (3.2)	240	180
10000 (4500)	5.9 (1.8)	8.9 (2.7)	300	220
12000 (5400)	4.6 (1.4)	7.9 (2.4)	370	250

Ciągnięcie linii i pojemność liny w warstwie

Warstwa	Znamionowa siła uciągu liny w funtach (kg)	Całkowita lina na bębnie w stopach (m)
1	12000 (5443)	15.1 (4.6)
2	9533 (4333)	34.1 (10.4)
3	7907 (3500)	57.7 (17.6)
4	6755 (3000)	83.7 (25.5)

DANE TECHNICZNE S14500

Nominalny udźwig liny	14500 lbs (6500kg)	
Przełożenie przekładni redukcyjnej	253:1	
Silnik	12V:Input: 5.4Kw / 7.2hp Output: 2.7kW / 3.6hp 24V:Input: 6.2Kw / 8.3hp Output: 3.3kW / 4.4hp	
Ogólne wymiary	593 mm ×160mm ×248mm (23.35"×6.3"×9.8")	
Rozmiar bębna	Ø63mm×223 mm (Ø2.48 "×8.8 ")	
Kabel	Lina syntetyczna	Lina stalowa
	Ø11mm×25m (Ø0.43"×82 ')	Ø10.2mm×25.5m (Ø0.4"×83.6 ')
Waga netto	Lina syntetyczna	Lina stalowa
	33kg (72.7 lbs)	43kg (94.7 lbs)

Ciągnięcie, prędkość, ampery, wolty (pierwsza warstwa):

Ciągnięcie liny	Prędkość liny stopy/min (m/min)		Prąd A	
	lbs (kgs)	12V DC	24V DC	12V DC
0	27.9 (8.5)	36.1 (11.0)	45	30
6000 (2700)	11.5 (3.5)	13.8 (4.2)	200	130
8000 (3600)	7.87 (2.4)	10.5 (3.2)	245	160
10000 (4500)	5.57 (1.7)	8.9 (2.7)	310	190
12000 (5400)	4.92 (1.5)	7.9 (2.4)	380	230
14500 (6500)	2.6 (0.8)	4.26 (1.3)	460	300

PL

Ciągnięcie linii i pojemność liny w warstwie

Warstwa	Znamionowa siła uciągu liny w funtach (kg)	Całkowita lina na bębnie w stopach (m)
1	14500 (6500)	15.1 (4.6)
2	11519 (5200)	34.1 (10.4)
3	9556 (4300)	57.7 (17.6)
4	8163 (3700)	83.7 (25.5)

JOHDANTO

Onnittelut vinssin hankinnasta. Suunnitteleminen ja rakennamme vinssit tiukkojen vaatimusten mukaisesti, ja vinssi kestää vuosien käyttöä, kun sitä käytetään ja huolletaan asianmukaisesti.

Tämän oppaan tietojen paikkansapitävyyden ja täydellisyyden varmistamiseksi julkaisemishetkellä on pyritty tekemään kaikki mahdollinen. Pidätämme kuitenkin oikeuden muuttaa ja/tai parantaa tuotetta ja tätä asiakirjaa milloin tahansa ilman erillistä ilmoitusta.

TURVALLISUUSMERKINNÄT

Vinssi voi kehittää valtavia vetovoimia, ja jos sitä käytetään vaarallisesti tai väärin, seurauksena voi olla omaisuusvahinko, vakava loukkaantuminen tai kuolema. Tästä oppaasta löydät seuraavat huomautusta, varoitusta ja vaaraa kuvaavat symbolit. Kiinnitä erityistä huomiota näitä symboleja edeltäviin huomautuksiin, koska ne varmistavat turvallisuutesi. Viime kädessä tämän laitteen turvallinen käyttö on sinun, käyttäjän, vastuulla.

VAARA

VAARA tarkoittaa vaaratilannetta, joka johtaa kuolemaan tai vakavaan loukkaantumiseen, jos sitä ei vältetä.

VAROITUS

VAROITUS tarkoittaa vaaratilannetta, joka voi johtaa kuolemaan tai vakavaan loukkaantumiseen.

HUOMAUTUS

HUOMAUTUS tarkoittaa vaaratilannetta, joka voi johtaa lievään tai kohtalaiseen loukkaantumiseen.

HUOMIO

HUOMIO-ILMOITUKSET ovat tärkeinä pidettyjä, mutta ei vaaroihin liittyviä tietoja (esim. omaisuusvahinkoihin liittyvät viestit).

TUTUSTU VINSSIIN

Vinssi on tehokas laite. On tärkeää, että ymmärrät sen toiminnan perusteet ja tekniset tiedot, jotta voit käyttää sitä luotettavasti ja turvallisesti silloin, kun sitä tarvitset. Alla on luettelo vinssin komponenteista ja niiden käyttötarkoituksista.

1. Tämä vinssi on suunniteltu tuottamaan maksimaalinen vaijerin vetovoima, kun vain yksi vaijerikerros on kelattu vinssin rumpuun (ensimmäinen kerros).
2. Moottori: Moottori saa virtansa 12/24 voltin akusta, ja se antaa virtaa hammasrataskokoonpanolle, joka pyörittää rumpua ja kelaajaa vaijeria tietyyn suuntaan.
3. Vinssin rumpu: Vinssin rumpu on sylinteri, jossa vaijeria säilytetään. Sitä voidaan kelata sisään- tai ulospäin käyttämällä kauko-ohjattua kytkintä.
4. Vinssin köysi: Vinssin mukana toimitetaan galvanoitu lentokoneiden teräsvaijeri tai synteettinen vaijeri, ja se on suunniteltu erityisesti tämän vinssin nimellisvetovoiman kuormituskyky varten. Vaijeri syötetään eteenpäin rummun alta, ja sen toisessa päässä on silmukka koukkua varten.
5. Ohjainlenkki (toimitetaan valikoitujen mallien kanssa): Käytettäessä vinssiä kulmassa rullaohjain ohjaa vaijerin rummulle tasaisesti ja minimoi vaijerin tai vinssin vaurioitumisen hankauksesta.
6. Hammasrataskokoonpano: Välytysvaihteisto muuntaa vinssin moottorin tehon maksimaaliseksi vetovoimiksi.
7. Jarrutusjärjestelmä: Jarrutus vaikuttaa automaattisesti vinssiin, kun vinssin moottori on pysäytetty tai vaijerissa on kuormitusta. Tämä saavutetaan erillisellä ulkoisella mekaanisella jarrulla, joka suorittaa jarrutuksen. (Jarruja EI ole suunniteltu kiinnityslaitteiksi, eikä vinssin vaijereita saa koskaan jättää kiinni, kun ajoneuvoa/välineistöä kuljetetaan).
8. Vapaakelauskytkin: Kytkimen avulla käyttäjä voi manuaalisesti irrottaa kelausrummun (CLUTCH OUT) vaihteistosta. Tätä kutsutaan vapaakelaukseksi. Kytkimen kytkeminen (CLUTCH IN) lukitsee vinssin vaihteistoon.
9. Solenoidi: Ajoneuvon akun teho virtaa säänkestävän kytkimen läpi ennen kuin se ohjataan vinssin moottoriin.
10. Langallinen kauko-ohjattu kytkin: Kaukosäätimen kytkinjohdoissa on kaksoiskytkin, jolla vinssin rummun virta voidaan kytkeä tai katkaista. Kaukosäätimen avulla voit seistä etäällä vaijerista, kun vinssi on kuormitettuna.
11. Langaton kaukosäädin (toimitetaan valikoitujen mallien mukana): Se on suunniteltu ja tarjolla vain Offroad- tai None Commercial -käyttöön eikä se sisälly mihinkään tarjottuun takuuseen. Sen avulla käyttäjä voi aina ohjata vinssiä jopa 15,5 metrin (50 jalan) etäisyydeltä.
12. Yleiskäyttöinen Flat Bed -asennuskanava: (Valinnainen) Vinssi mukana on voitu toimittaa lisävarusteena flat bed -asennuskanava, joka voidaan asentaa useimmille tasaisille pinnoille, kuten perävaunuihin, kuorma-autojen lavoille, rakenteisiin jne. Asennuskanavassa on useita kiinnitysreikiä ja muita reikiä rullaohjainta varten.
13. Väkipyörä/pylpyrää: (Valinnainen) Vinssin mukana voidaan toimitetaan väkipyörä/pylpyrää, jolla voidaan kaksinkertaistaa vinssin vetovoima

tai muuttaa vetosuunta vahingoittamatta vaijeria. Suosittelemme, että käytät kaksoisvaijeria ja pylpyrää, kun kuormitus on yli 70 % nimellisestä vetovoimasta.

TÄRKEITÄ TURVAOHJEITA

VAARA

ÄLÄ YLITÄ NIMELLISKAPASITEETTIA.

VAIN AJOITTAISEEN KÄYTTÖÖN - ANNA JÄÄHTYÄ KÄYTTÖKERTOJEN VÄLILLÄ.

ÄLÄ käytä vinssiä ihmisten tai elävien eläinten nostamiseen/siirtämiseen.

Nimelliskuorman vetämiseen ja pitämiseen tarvitaan vähintään viisi vaijerikierrettä rummun ympärille. Kaapelipuristinta ei ole suunniteltu pitämään kuormaa ilman viittä vaijerikierrettä rummun ympärillä. (yleensä merkitty punaisella vaijerin rumpupäähän)

VAARA

Pidä itsesi ja muut henkilöt TURVALLISEN ETÄISYYDEN päässä vaijerin sivulla, kun se on kiristetty.

ÄLÄ KOSKAAN seiso vaijerin päällä tai sen lähellä tai astu sen yli, kun se on kuormitettu. On suositeltavaa käyttää vinssin suojaiteita tai purjetta.

ÄLÄ liikuta ajoneuvoa vetääksesi kuormaa (hinaus) vinssin vaijerilla. Tämä voi johtaa vaijerin rikkoutumiseen.

Irrota kaukosäädin ja eristä se, kun sitä ei käytetä.

VAARA

ÄLÄ ylitä maksimaalista vetovoimaa. Vältä ”iskukuormitusta” käyttämällä kauko-ohjattua kytintä katkonaisesti vaijerin löysyyden poistamiseen. ”iskukuormitus” voi ylittää huomattavasti vaijerin ja rummun nimelliskapasiteetin ja johtaa vinssin ja jarrun vaurioitumiseen. Tämä mitätöi takuun.

VAARA

ÄLÄ Käytä vinssiä kiinnityslaitteena. Sitä ei ole suunniteltu tähän tarkoitukseen, ja se johtaa vinssin ja jarrun vaurioitumiseen ja mitätöi takuun.

ÄLÄ ylitä taulukoihin merkittävät enimmäisvetoarvoja.

ÄLÄ käytä nostimena. Älä käytä ylöspäin suuntautuvaan nostamiseen.

VAARA

ÄLÄ KOSKAAN leikkaa, hitsaa tai muokkaa mitään vinssin tai vaijerin osaa. Tämä mitätöi takuun

VAARA

Vaijerin uudelleenkelaus Varmista, että vaijeri kelataan tuulen alla niin, että vaijeri syötetään rumpuun alakautta, ei yläkautta. Suorita uudelleenkelaus oikein siten, että käytät käsineitä ja pidät vaijerin hieman kireällä samalla kun painat kaukosäätimen painiketta kaapelin vetämiseksi sisään. Kävele vinssiä kohti **ÄLÄKÄ KOSKAAN** anna vinssin vaijerin liukua sormiesi tai käsiesi läpi.

PIDÄ kätesi aina vähintään 30 cm:n (12 tuuman) etäisyydellä vinssistä uudelleenkelauksen aikana. Katkaise vinssin virta ja toista toimenpide, kunnes kaapelia on jäljellä muutama jalka (noin metri). Katkaise kaukosäätimen yhteys ja lopeta kelaus käsin kääntämällä rumpua manuaalisesti kytkin vapautettuna. Pidä kädet etäällä ohjainlenkistä ja rummusta, kun vinssi on käynnissä.

VAARA

Jos näitä varoituksia ei lueta ja ymmärretä, tuloksena voi olla henkilö- ja/tai omaisuusvahinkoja.

Käytä aina käsineitä käsien suojaamiseen käsitellessäsi mitä tahansa vaijeria/köyttä. Älä koskaan anna vaijerin liukua käsiesi läpi.

ÄLÄ KOSKAAN kytke vaijeria takaisin itseensä.

Kiinnitä aina lohkoja/kiiloja/hihnoja ajoneuvon/laitteiston pyöriin rinteessä ja kuljetuksen aikana.

Valmistaja ei ole hyväksynyt mitään muutoksia, muutoksia tai poikkeamia vinssiin, eikä niitä SAA tehdä. Tämä mitätöi takuun.

Vinssin vetojen kesto tulee pitää mahdollisimman lyhyinä. Jos moottori on erittäin kuuma kosketettaessa, lopeta vinssin käyttö välittömästi ja anna sen jäähtyä noin kahdeksan minuuttia. Älä vinssaa enempää kuin kaksi minuuttia suurimmalla nimelliskuormalla tai lähellä sitä pitämättä kahdeksan minuutin taukoja.

VAARA

Jos moottori pysähtyy, **ÄLÄ** jatka vinssin käyttöä. Vinssit on suunniteltu ja valmistettu ajoittaiseen käyttöön, ja niitä tulee käyttää niiden käyttösykliin mukaisesti.

ÄLÄ KOSKAAN vapauta vapaakelauskytkintä, kun vinssissä on kuorma, koska kuorma rullaa taaksepäin.

Käytä Hand saver -koukkuja, kun käsittelet koukkuja vaijerin kelaamista tai irrottamista varten.

HUOMIO

Vinssi ja kaikki siitä johdetut vinssityypit on mitoitettu nimelliskapasiteetin mukaisesti, kun ensimmäinen vaijerikierre kelataan rummulle. Ylikuormitus voi vahingoittaa vinssiä, moottoria tai vaijeria.

Kuormille, jotka ovat yli 70 % nimellisestä vetovoimasta, suosittelemme väkipyörän/pylpyrjän käyttöä vaijerin kaksinkertaistamiseksi ja rasituksen vähentämiseksi. Tämä auttaa kahdella tavalla:

Se vähentää vaijerikierteiden määrää rummussa sekä vaijerin kuormitusta jopa 50 prosentilla. Kun kiinnität kaksinkertaisen vaijerin ajoneuvoon, kiinnitä se aina runkoon tai muuhun kantavaan kohtaan.

HUOMIO

Ajoneuvon moottorin tulee aina olla käynnissä vinssin käytön aikana, jotta akun tyhjeneminen voidaan minimoida ja vinssin teho ja nopeus maksimoida. Jos vinssiä käytetään pitkään moottorin ollessa sammutettuna, akku tyhjenee eikä pysty enää käynnistämään ajoneuvon moottoria uudelleen. Jos näin tapahtuu, lopeta vinssaaminen välittömästi, työntökäynnistä ajoneuvo ja lataa akku ennen kuin jatkat vinssin käyttöä.

HUOMIO

Tutustu vinssin käyttöön ennen kuin aloitat sen käytön. Suosittelemme, että koekäytät sitä muutaman kerran, jotta voit tutustua kiinnitystekniikoihin, ääniin, joita vinssistä kuuluu erilaisilla kuormituksilla ja tapaan, jolla vaijeri kelataan rumpuun jne.

TARKASTA vaijeri ja laitteisto ennen jokaista käyttöä. Rispaantunut tai vaurioitunut köysi on vaihdettava välittömästi. Käytä vain valmistajan vastaavaa varaosaköyttä, jolla on täysin samat tekniset tiedot. (Köydet eivät kuulu minkään tarjotun takuun piiriin)

TARKISTA vinssin asennus ja pultit varmistaaksesi, että kaikki pultit on kiristetty ennen jokaista käyttöä, tai tarkista ne säännöllisesti.

HUOMIO

Säilytä kauko-ohjausjohtoa ajoneuvon sisällä tai turvallisessa paikassa.

Älä koskaan kytke vinssin vaijeria takaisin itseensä. Se vaurioittaa vaijeria. Käytä aina sopivan lujaa väkipyörää, pylpyrää, nostohihnaa tai ketjua kuvan osoittamalla tavalla.

HUOMIO

Jos vinssi näyttää vialliselta, vaurioituneelta, kuluneelta tai toimii epänormaalisti, SE ON POISTETTAVA KÄYTÖSTÄ, KUNNES SE ON KORJATTU, VAIHDETTU TAI HUOLLETTU. On suositeltavaa, että tarvittavat korjaukset TEKEE VAIN valmistajan valtuutettu korjaamo.

HUOMIO

Käytä vetämiseen vain ajoneuvon valmistajan määrittelemiä kiinnityskohtia.

- Vain valmistajan toimittamia lisävarusteita, lisälaitteita ja/tai sovitimia saa käyttää.

HUOMAUTUS

Työkalua käytettäessä on aina noudatettava perusturvatoimenpiteitä henkilövahinkojen ja laitevaurioiden vähentämiseksi. Lue kaikki nämä ohjeet ennen tämän työkalun käyttöä!

VAROITUS

Pidä lapset loitolla. Lapsia ei saa koskaan päästää työalueelle. Älä anna heidän käsitellä koneita, työkaluja, jatkojohtoja tai käyttää tätä työkalua.

VAROITUS

Siirrä käyttämättömät laitteet varastoon. Kun työkaluja ei käytetä, ne on säilytettävä kuivassa paikassa ruosteen estämiseksi. Lukitse työkalut aina ja pidä ne lasten ulottumattomissa.

HUOMAUTUS

Pukeudu asianmukaisesti. Älä käytä löysiä vaatteita tai koruja, koska ne voivat tarttua liikkuviin osiin. On suositeltavaa käyttää työskentelyn aikana suojaavia, sähköä johtamattomia vaatteita ja liukumattomia jalkineita. Suojaa pitkät hiukset työskentelyn aikana.

VAROITUS

Käytä silmä- ja kuulosuojaimia. Käytä aina iskunkestäviä suojalaseja. Käytä koko kasvonsuojainta, jos valmistat metalli- tai puulastuja. Käytä pölynaamaria tai hengityssuojainta työskennellessäsi metalli-, puu- ja kemikaalipölyjen ja -sumujen lähellä.

HUOMAUTUS

Huolla tätä vinssiä huolellisesti. Pidä tämä työkalu kuivana ja puhtaana paremman ja turvallisemman toiminnan varmistamiseksi. Noudata voiteluohjeita ja lisävarusteiden vaihto-ohjeita. Tarkasta vinssin vaijeri säännöllisesti ja jos se on vaurioitunut, anna valtuutetun teknikon vaihtaa se välittömästi. Kahvat on pidettävä aina puhtaina, kuivina ja puhtaina öljystä ja rasvasta.

Irrota tai kytke irti kauko-ohjattu kytkin, kun sitä ei käytetä.

VAARA

Pysy valppaana, katso mitä olet tekemässä ja käytä maalaisjärkeä. Älä käytä mitään työkalua väsyneenä.

VAROITUS

Tarkista vaurioituneiden osien varalta. Ennen kuin käytät tätä vinssiä, tarkista huolellisesti kaikki osat, jotka vaikuttavat kuluneilta tai vaurioituneilta, ja varmista, että ne toimivat oikein ja aiotulla tavalla. Tarkista vauriot, mukaan lukien kohdistukset, liikkuvien osien jumiutuminen sekä kiinnitysvälineet. Kaikki vaurioituneet osat tulee korjata tai vaihtaa pätevän henkilön toimesta. Älä käytä työkalua, jos jokin kytkin ei vaihda On- ja Off-tilojen välillä oikein.

VAROITUS

Varaosat ja tarvikkeet. Käytä korjauksen tai huollon aikana vain identtisiä varaosia. Muiden osien käyttö mitätöi takuun.

VAROITUS

Älä käytä työkalua alkoholin tai huumeiden vaikutuksen alaisena. Lue reseptin varoitukset selviääksesi, ovatko harkintakyky tai refleksi heikentyneet lääkkeiden käytön aikana. Jos olet epävarma, älä käytä työkalua.

VAARA

Pidä kädet ja vartalo poissa ohjainlenkistä (vaijerin sisääntuloaukko) käytön aikana.

Kiilaa ajoneuvo aina paikoilleen ennen vinssin käyttöä.

VAROITUS

Varmista, että vinssi on kiinnitetty kunnolla rakenteeseen (tai ajoneuvoon), joka kestää vinssin suurimman nimelliskuorman.

Älä käytä sopimattomia lisälaitteita vinssin vaijerin pidentämiseen.

VAARA

Älä koskaan nosta ihmisiä tai nosta kuormia ihmisten yli tai nosta eläviä eläimiä.

Älä koskaan mene vinssin ja kuorman väliin käytön aikana.

VAROITUS

Älä kuormita vinssiä, kun vaijeri on vedetty kokonaan turvamerkin yli. Pidä vähintään viisi täyttä vaijerikierrettä kelalla (yleensä merkitty punaisella vinssin vaijeriin rummun päässä.)

Kun olet siirtänyt mitä tahansa laitetta vinssillä, kiinnitä laite paikoilleen. Älä luota siihen, että vinssi pysyy paikoillaan pitkiä aikoja tai kuljetuksen aikana. Vinssillä ei saa kiinnittää laitetta, ja sen käyttäminen siihen mitätöi kaikki takuut.

HUOMAUTUS

Tarkista vinssi ennen käyttöä. Altistuminen kemikaaleille, suoloille ja ruosteelle voi vaikuttaa komponentteihin.

Älä astu vinssin vaijerin yli tai kulje sen alta kuormituksen aikana.

Käytä käsineitä käsitellessäsi vaijeria.

VAROITUS

Älä koskaan käytä vinssiä, jos vaijerissa on merkkejä heikentymisestä, kuten solmuja tai vääntymistä. Tässä tapauksessa vaijeri on vaihdettava välittömästi.

VAARA

Älä siirrä ajoneuvoa, kun vaijeri on kiristetty ja kiinnitetty kuormaan. Voit helposti ylittää vinssin arvot, jolloin vaijeri voi napsahtaa katki.

Kun ajoneuvo on pysäköity rinteeseen, kiilaa sen pyörät.

HUOMAUTUS

Kelaa kaapeli aina uudelleen siististi jokaisen käyttökerran jälkeen, jotta vinssin vaijeri ei kohdistu väärin ennen seuraavaa käyttöä.

HUOMAUTUS

Vinssin vaijeri on kierrettävä rumpuun, kun kuormitus on vähintään 10 % nimellisestä vetovoimasta. Muutoin uloimmat kierteet uppoavat sisempiin kierteisiin vahingoittaen vaijeria.

Ennen kuin käytät vinssiä kuormittettuna, sinun tulee tarkistaa vinssin oikea toiminta laittamalla kytkin päälle ja pois päältä sekä käyttämällä suuntasäätimiä ja nopeuden säätimiä. Tämä varmistaa, että vinssi toimii kunnolla, mikä auttaa estämään tahattomia vaurioita ja loukkaantumisia. Vinssin vaijerin säätäminen ennen lastaamista varmistaa myös, että vaihteet on kohdistettu oikein.

HUOMAUTUS

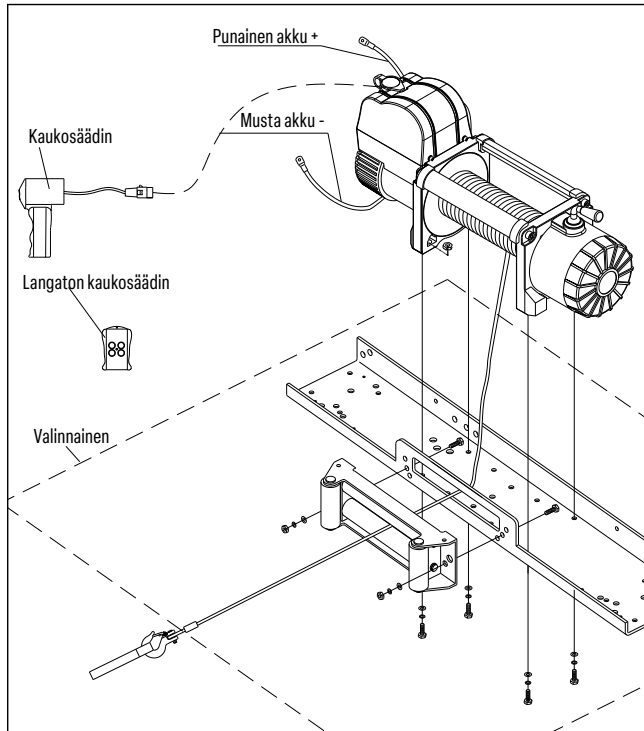
Akut sisältävät kaasuja, jotka ovat syttyviä ja räjähtäviä. Käytä suojalaseja asennuksen aikana ja poista kaikki korut. Älä nojaa akun päälle tehdessäsi kytkentöjä.

VAROITUS

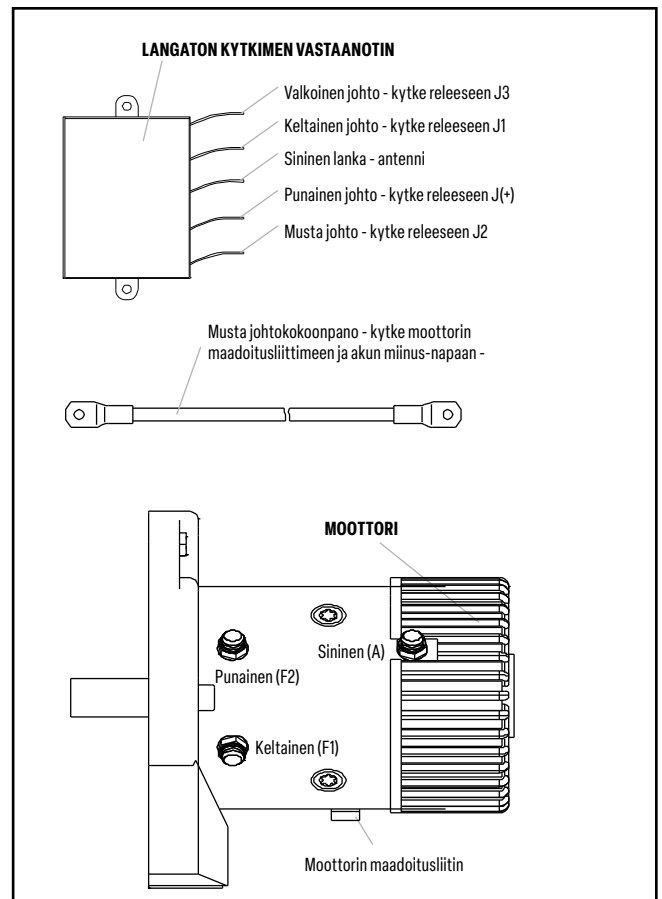
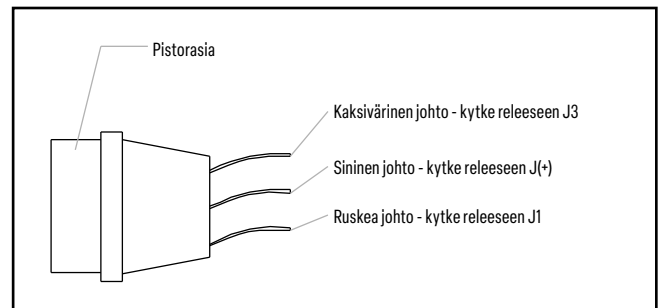
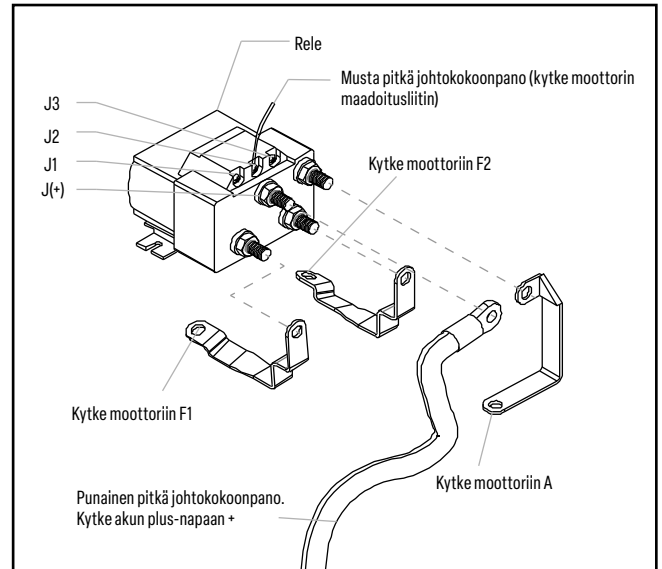
On **erittäin suositeltavaa** asentaa akun eristin suojaamaan ajoneuvoa, laitteita ja käyttäjää vaarallisilta tilanteilta. Jos eristin ei sisälly toimitukseen, on suositeltavaa ostaa eristin ja asentaa sen ennen vinssin käyttöä.

Jos akun erotinta tai turvakytintä **ei asenneta**, tuloksena voi olla vaurioita ajoneuvolle, laitteistolle ja/tai käyttäjälle sekä takuun mitätöinti.

VINSSIN KOKOONPANO JA ASENNUS



1. Vinssissä on pulttijako, jota käytetään vakiona tässä vinssiluokassa. Saatavilla on monia vinssin kiinnityssarjoja, jotka käyttävät tätä pulttijakoa yleisimpien ajoneuvojen ja kiinnityskanavien mukaisesti. Jos et löydä sarjaa paikallisesti, ota meihin yhteyttä, niin lähetämme sinulle lähimmän jälleenmyyjän nimen. Jos käytät kiinnityskanavaa, varmista, että se on asennettu tasaiselle pinnalle siten, että kolme pääosaa (moottori, rumpu ja vaihdekotelo) on kohdistettu oikein. Vinssin oikea kohdistus mahdollistaa täyden nimelliskuorman tasaisen jakautumisen ja auttaa vähentämään vinssiä tai laitteiden vahingoittumista. Huono asennus aiheuttaa noin 90 % laitteiston tai vinssin vaurioista.
2. Aloita kytkemällä rullaohjain kiinnityskanavaan käyttämällä kahta kansipulttia M10 X 35, litteää aluslevyä ja lukitusaluslevyä ja kiinnittämällä ne mutterilla M10 (Varmista, että pultti on työnnetty kiinnityskanavan ja rullaohjaimen läpi kanavan sisäpuolelta. Tämä antaa riittävästi välystä, jotta vinssi voidaan sijoittaa kanavaan ilman esteitä.)
3. Kokoa vinssi (valinnaiseen) asennuskanavaan vetämällä ja vapauttamalla ensin kytkimen nappi Out-asentoon (vapaakelaus). Vedä vaijeria muutaman senttimetrin verran ulos rummusta ja syötä vaijerin silmukka asennuskanavan edessä olevan aukon sekä rullaohjaimen läpi. Kiinnitä vinssi asennuskanavaan käyttämällä jäljellä olevia kansipultteja M10 x 35, litteää aluslevyä, lukitusaluslevyä ja mutteria M10.
4. Kytke akun ja moottorin johdot yllä olevan kuvan mukaisesti. Muista, että jokainen vinssityyppi on erilainen.
5. Kytke vinssin moottori alla kuvatulla tavalla:



⚠ HUOMAUTUS

Akut sisältävät kaasuja, jotka ovat syttyviä ja räjähtäviä. Käytä suojalaseja asennuksen aikana ja poista kaikki korut. Älä nojaa akun päälle tehdessäsi kytkentöjä.

- Kiinnitä tappilukko vaijeriin. Irrota tappilukon tappi, kiinnitä tappilukko vaijeriin ja kiinnitä tappi takaisin tappilukkoon.
- Käytä aina Hand Saver -laitetta (valinnainen), kun käytät vapaakelausta ja kelaat vaijeria uudelleen. Hand Saver -laitteen ansiosta kätesi ja sormesi pysyvät loitolla pyörivästä rummusta.
- Tarkista, että rumpu pyörii oikein. Vedä tai käännä kytkimen nuppi OUT Disengage -asentoon (vapaakelaus). Vedä vaijeria rummusta ja käännä sitten kytkimen nuppi IN Engage -asentoon kytkeäksesi vaihteet. Paina kaukosäätimen vaijerin ulostulopainiketta. Jos rumpu pyörii ja vapauttaa vaijerin, kytkennät on tehty oikein. Jos rumpu pyörii ja kerää lisää vaijeria, vaihda moottorin johdot toisinpäin. Toista ja tarkista pyöriminen.

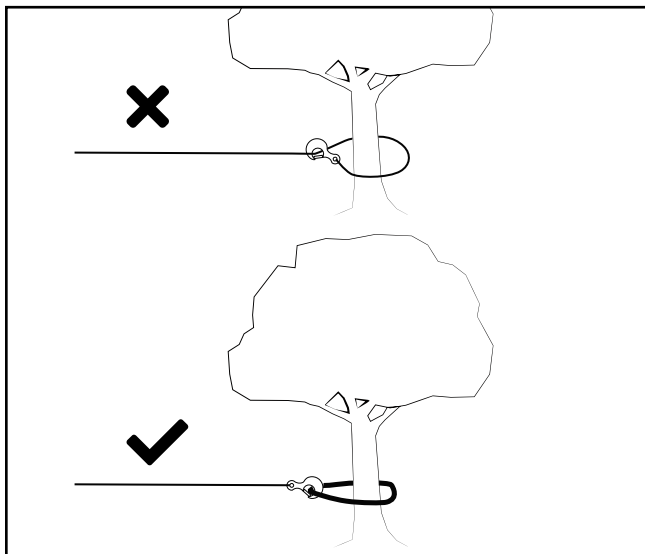
KIINNITYSTEKNIIKAT

Etsi sopiva ankuri, kuten vahva puunrunko tai lohkare.

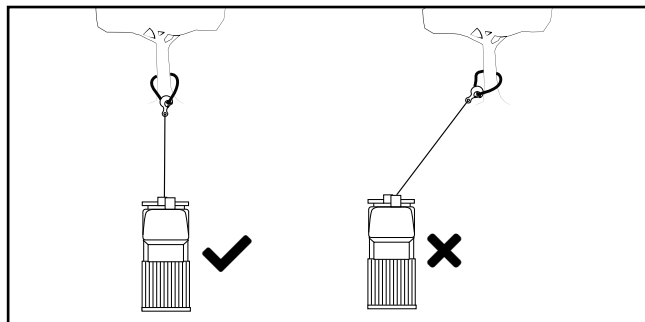
Käytä AINA hihnaa tai kiinnityslinkkiä ankkurin kiinnittämiseen. Älä koskaan käytä vaijeria tai koukkuja ankkurin kiinnityslenkinä.

⚠ HUOMAUTUS

ÄLÄ KOSKAAN kiinnitä tappilukkoa takaisin vinssin vaijeriin, koska se voi vahingoittaa vaijeria.

**⚠ HUOMAUTUS**

Älä vinssaa jyrkästä kulmasta, koska vaijeri takertuu rummun toiselle puolelle vaurioittaen vaijeria (linnunpesä) ja aiheuttaa vakavia vaurioita vinssille ja laitteille.

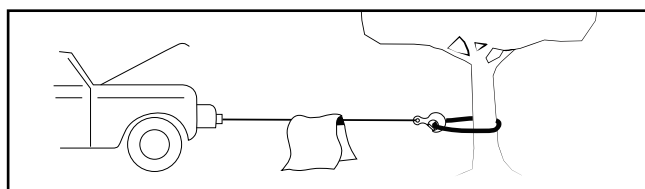
**🗨 HUOMIO**

Lyhyitä vetoja kulmasta voidaan käyttää ajoneuvon/laitteiston suoristamiseen. Pitkät vedot tulee tehdä vaijerilla suorassa linjassa vinssiin/ajoneuvoon, katso yllä oleva kuva.

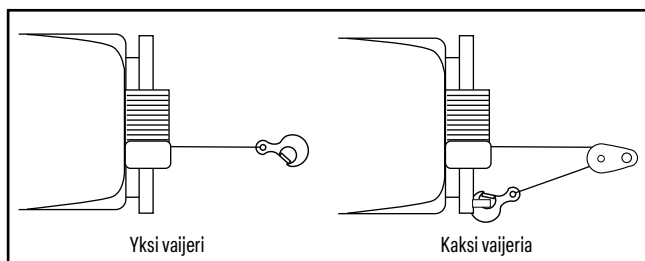
⚠ HUOMAUTUS

Kun vedät raskasta kuormaa, aseta peitto tai suojus vaijerin päälle noin 1,5–2 metrin (5–6 jalan) päähän koukusta, koska se vaimentaa voimaa, jos vaijeri katkeaa.

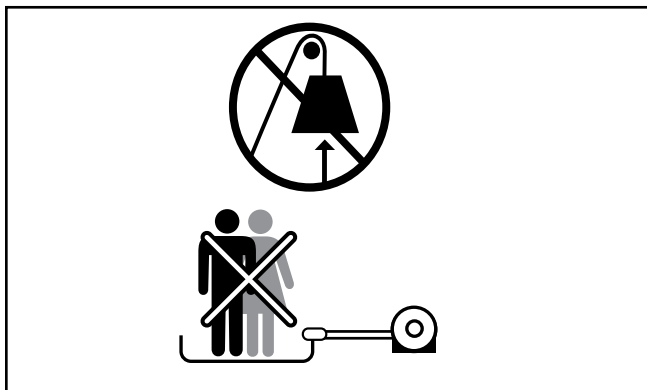
Lisäsuojaa varten avaa auton konepelti kuvan osoittamalla tavalla.

**🗨 HUOMIO**

Jos vedot yli 70 %:n nimellisestä vetovoimasta, suosittelemme väkipyörän/pylpyrän käyttöä vaijerin kaksinkertaistamiseen. Tämä vähentää vinssin kuormitusta ja vaijerin rasitusta.

**⚠ VAARA**

Älä koskaan käytä vinssiä ylöspäin suuntautuvaan nostamiseen, ihmisten nostamiseen tai siirtämiseen tai elävien eläinten siirtämiseen.



VINSSAUSTEKNIIKAT A-Z

A Arvioi tilanne ja suunnittele vetosi ajan kanssa.

B Pue käsineet käsiesi suojaamiseksi.

C Irrota kytkin mahdollisuuksien mukaan vapaakelausta ja akkuvirran säästämistä varten.

D (Jos sisältyy toimitukseen) Kiinnitä Hand saver -koukku tappilukkoon.

E Vedä vaijeri turvallisesti ulos haluamaasi ankkurointikohtaan.

F Kiinnitä tappilukko ankkurointikohtaan: Väkipyörä, ketju tai pyrpylä. Älä kiinnitä koukkuja vaijeriin.

G Laita kytkin päälle.

H Kytke kaukosäätimen johto vinssiin.

I Käynnistä moottori varmistaaksesi, että ajoneuvon akkuun tulee virtaa.

j. Kuormaa vaijeri ohjaamalla kiristettyä vaijeria siten, että löysyys poistuu. Kun vaijeri on kireä, seiso etäällä siitä. Älä koskaan seiso kiristetyn vaijerin päällä tai astu sen yli.

k. Tarkista ankkurit ja varmista, että kaikki kytkennät on tehty oikein.

(11 GAL.) Tarkista vaijeri. Varmista, että vinssin rummun ympärillä on vähintään viisi vaijerikierrettä. (yleensä merkitty punaisella)

(1829 m) Aseta peitto tai purje (myydään erikseen) vaijerin päälle noin 1,5–1 metrin (5–6 jalan) päähän koukusta. Avaa konepelti lisäsuojaa varten.

n. Tyhjennä työskentelyalue. Varmista, että kaikki ihmiset ja katsojat ovat kaukana työskentelyalueen takana ja ettei kukaan ole suoraan ajoneuvon tai ankkuripisteen edessä tai takana.

o. Aloita vinssaus. Varmista, että vaijeri kiertyy tasaisesti ja tiukasti rummun ympärille. Vinssattavaa ajoneuvoa voidaan tarvittaessa ajaa hitaasti vinssausprosessin tehostamiseksi. Vältä iskukuormitusta; pidä vaijeri kireänä.

s. Vinssattava ajoneuvo on asetettava vapaalle ja hätäjarru vapautettava. Vapauta jarrupoljin vain, kun vaijeri on kireällä. Vältä vinssin iskukuormitusta. Tämä voi vahingoittaa vinssiä, vaijeria ja ajoneuvoa.

q. Vinssi on tarkoitettu ajoittaiseen käyttöön. Yhtä vaijeria ei saa kuormittaa täydellä kuormalla enempää kuin kahdeksan minuuttia kerrallaan. Se jälkeen moottorin on annettava jäähtyä muutaman minuutin ajan ennen vinssin käytön jatkamista.

r. Vinssitoiminto on valmis, kun ajoneuvo on vakaalla alustalla ja/tai sitä voi ajaa sen omalla voimalla.

s. Kiinnitä ajoneuvo. Muista laittaa jarrut päälle ja pysäköidä auto.

t. Vapauta vaijerin jännitys. Vinssiä ei ole suunniteltu kiinnityslaitteeksi, eikä sitä saa KOSKAAN käyttää kuorman kiinnittämiseen tai kiinnityslaitteena kuljetuksen aikana. Vinssin vaijeri TÄYTYY vapauttaa, kun laitteisto tai ajoneuvo on kiinnitetty. Jos näin ei tehdä, jarru ja vinssi voivat vaurioitua ja takuu mitätöityy.

u. Irrota vaijeri ankkurista äläkä KOSKAAN jätä sitä kiinni.

v. Kela vaijeri taaksepäin. Varmista, että rummussa jo oleva vaijeri on kelattu tiukasti ja siististi. Jos ei, vedä vaijeri ulos ja kela se uudelleen kohdasta, jossa köysi on kireällä.

w. Pidä kätesi etäällä vinssin rummusta ja ohjainlenkistä, kun vaijeria vedetään sisään.

x. Kiinnitä koukku ja koukkuhihna.

y. Irrota kaukosäätimen johto ja säilytä sitä puhtaassa, kuivassa paikassa.

z Puhdista ja tarkista liitännät ja kiinnitystarvikkeet seuraavaa vinssausa varten.

HUOLTO

1. Tarkista säännöllisin väliajoin kiinnityspulttien ja sähköliitännöiden kireys. Poista kaikki lika tai korrosio ja pidä laitteisto aina puhtaana.
2. Älä yritä purkaa vaihdelaatikkoa. Korjaukset tulee tehdä valmistajan tai valtuutetun huoltoliikkeen toimesta.
3. Vaihdelaatikko on voideltu korkean lämpötilan litiumrasvalla ja sinetöity tehtaalla. Sisäistä voitelua ei tarvita.

VAIJERIN VAIHTAMINEN

Jos vaijeri on kulunut tai siinä alkaa näkyä rispaantumisen merkkejä, se on vaihdettava ennen uutta käyttöä.

1. Käännä kytkin CLUTCH OUT -asentoon.
2. Vedä vaijeri ulos koko pituudeltaan. Huomaa, kuinka nykyinen vaijeri on kytketty rumpuun.
3. Irrota vanha vaijerikokoonpano ja kiinnitä uusi vaijeri rumpuun samalla tavalla. Aseta uuden vaijerin pää paikalleen ja kiinnitä ruuvi M8 x 10.
4. Varmista, että uusi vaijeri kiertyy samaan pyörimissuuntaan kuin vanha. Vaijerin pitää tulla ulos rummun alta. (Tuulen alta).
5. Käännä kytkin CLUTCH IN -asentoon.
6. Kierrä vaijeri rummulle ja varo, että ensimmäiset viisi kierrettä eivät väänny. Sen jälkeen vaijeri pitää kierrättää rummulle kuormitettuna siten, että kuormitus on vähintään 10 % nimellisestä vetovoimasta.

VAROITUS

Vaihda vaijeri vain valmistajan suosittelemaan identtiseen varaosaan. Teräs- tai synteettiset köydet EIVÄT kuulu takuun piiriin, ja on yksin omistajan tai käyttäjän vastuulla huoltaa ja vaihtaa ne tarvittaessa.

VIANMÄÄRITYS

Ongelma	Syy	Ratkaisu
Moottori ei käynnisty	Kaukosäädintä ei ole kytketty kunnolla	Tarkista kaukosäätimen johto ja liitännät.
	Löysät akkukaapelin liitännät	Tarkista akku ja liitännät.
	Viallinen kaukosäädin	Vaihda kaukosäätimen johtokokoonpano.
	Viallinen moottori	Tarkista ankkuriportin jännite kytkimen ollessa painettuna. Jos jännitettä ei ole, vaihda moottori.
	Vettä on päässyt moottoriin	Anna sen valua ja kuivua. Käytä vinssiä vasta, kun se on täysin kuiva.
Moottori käy, mutta rumpu ei pyöri	Kytöntä ei ole kytketty	Käännä kytkin In-asentoon. Jos ongelma jatkuu, pyydä teknikka tarkistamaan ja korjaamaan se.
Moottori käy hitaasti tai ilman normaalia tehoa	Virta tai jännite on riittämätön	Käytä vinssiä ajoneuvon moottorin käydessä
Moottorin ylikuumentuminen	Vinssiä on käytetty liian kauan	Anna vinssin jäähtyä ajoittain.
Moottori pyörii vain yhteen suuntaan	Löysät tai syöpyneet akkukaapelit tai moottorikaapelin liitännät.	- Puhdista ja kiristä. - Korjaa tai vaihda kytkinkokoonpano.
Vinssin jarrutushäiriö	Vaijeri kulkee väärään suuntaan	Säädä vaijerin työsuunta
	Jarrulevy kulunut tai rikki	Säädä jarrutuskulmaa tai vaihda uusi jarrulevy

TAKUU*

BPE Limited on WARRIOR WINCHES -laitteiden ja niihin liittyvien tavaramerkkien ja laitteiden ainoa jakelija.

BPE Limited ("myyjä" tai BPE) takaa vain alkuperäiselle vähittäismyyntituotteen ostajalle ("Ostaja"), että tämän aidon vinssin ("tuote, tuotteet") mekaaniset osat eivät sisällä materiaali- tai valmistusvirheitä vinssin koko käyttöänsä ajan.

Sähkökomponentit (mukaan lukien moottori, kontaktori ja kytkimet) eivät sisällä materiaali- tai valmistusvirheitä (3) kolmen vuoden (36 kuukauden) ajan alkuperäisestä ostopäivästä lukien.

Kaikki tuotteet, jotka BPE Limited määrittelee viallisiksi, korjataan tai vaihdetaan valmistajan (BPE Limited) yksinomaisen harkinnan mukaan ilman veloitusta Ostajalta, kun Ostaja noudattaa tätä menettelyä. Myyjä tai sen Valtuutettu edustaja voi periä kohtuullisia maksuja osista ja/ tai korjaustöistä, joita tämä elinikäinen rajoitettu takuu ei kata. Takuun ulkopuolisista palautukset veloitetaan BPE Limitedin vakiohintojen mukaisesti. Tässä esitetyt takuut ovat yksinomaisia ja korvaavat kaikki muut suulliset tai kirjalliset, nimenomaiset tai epäsuorat takuut.

Jos tuotteeseen tulee vika takuunajan aikana

Tämän takuun alaisen huollon tai korjauksen saamiseksi Ostajan on postitettava, lähetettävä tai muutoin toimitettava valmistajan osoitteeseen Ostajan kustannuksella; (1) tuote, (2) kirjallinen kuvaus ongelmasta, (3) Ostajan nimi, osoite ja yhteysnumero, (4) kopio alkuperäisestä ostokuitista, tai BPE Limited voi järjestää sopivan noutotavan (maksullinen).

Takuun rajoitukset

Takuu ei kata viallisten osien vaihdon tai asennuksen työkuukustannuksia tai kuljetus-/lähetyskuluja.

Tämä takuu ei koske Tuotteen vikoja, jotka ovat aiheutuneet seuraavasti: (1) normaali kuluminen, (2) asennuksen tai huollon laiminlyönti tai tuotteen altistaminen kuormituksille, jotka ylittävät omistajan käyttöoppaassa tai Myyjän verkkosivustossa mainitut kuormat, (3) muutos tai muiden osapuolten kuin valmistajan tekemät muutokset, (4) virheellinen käyttö, väärinkäyttö, laiminlyönti, onnettomuudet, jumalan teot, terrorismi tai (5) tuotteen käyttö virheellisesti omistajan käyttöoppaasta poikkeavalla tavalla, (7) muut syyt, johon Myyjä ei voi vaikuttaa sen jälkeen, kun tuote on toimitettu Myyjän valtuutetulle edustajalle.

Muut rajoitukset

Tämä takuu ei kata teräsvaijereita, synteettisiä köysiä, ohjaimia, langattomia kaukosäätimiä tai mitään ulkopintoja, kun ostopäivästä on kulunut kolmekymmentä (30) päivää.

BPE Limited ei ole vastuussa mistään välillisistä tai seuraamuksellisista vahingoista. Näitä välillisiä vahinkoja voivat olla muun muassa menetetyt voitot tai käytön menetys, käyttökatkot tai muiden henkilöiden laitteiden vahingoittuminen.

BPE Limited pidättää oikeuden muuttaa tuotteen suunnittelua ilman erillistä ilmoitusta. BPE Limited varaa oikeuden vaihtaa minkä tahansa osan tai koko yksikön uudempaan, samoin toimivaan malliin.

TEKNISET TIEDOT S8000

Nimellinen vetovoima	8 000 paunaa (3 628 kg)	
Vaihteen välityssuhde	196:1	
Moottori	12 V: Tulo: 4,3 Kw / 5,8 hv Lähtö: 2,0 kW / 2,7 hv 24 V: Tulo: 5,5 Kw / 7,4 hv Lähtö: 2,8 kW / 3,8 hv	
Kokonaismitat	559 mm × 160 mm × 248 mm (22" × 6,3" × 9,8")	
Rummun koko	Ø63 mm × 223 mm (Ø2,48" × 8,8")	
Vaijeri	Synteettinen köysi	Vaijeriköysi
	Ø8 mm × 25 m (Ø0,31" × 82')	Ø8,3 mm × 29 m (Ø0,32" × 95')
Nettopaino	Synteettinen köysi	Vaijeriköysi
	28 kg (61,7 paunaa)	39 kg (85,9 paunaa)

Vetovoima, vetonopeus ja ampeerit (ensimmäinen kerros)

Vetovoima	Vetonopeus jalkaa/min (m/min)	Moottorin virta ampeeri (enint.)
lbs (kg)	12 V DC	12 V DC
0	36 (11,0)	50
2 000 (900)	17,4 (5,3)	125
4 000 (1 800)	13,1 (4,0)	200
6 000 (2 721)	10,5 (3,2)	260
8 000 (3 628)	8,2 (2,5)	310

Kerrokset, vetovoima ja vaijerin kapasiteetti

Kerros	Nimellinen vetovoima paunaa (kg)	Vaijerin kokonaismäärä rummulla jalkaa (m)
1	8 000 (3 628)	21,3 (6,5)
2	6 620 (3 000)	46,9 (14,3)
3	5 650 (2 562)	77,1 (23,5)
4	4 920 (2 230)	95,1 (29)

TEKNISET TIEDOT S9500SD

Nimellinen vetovoima	9 500 paunaa (4 309 kg)	
Vaihteen välityssuhde	196:1	
Moottori	12 V: Tulo: 4,6 Kw / 6,1 hv lähtö: 2,1 kW / 2,8 hv 24 V: Tulo: 5,8 Kw / 7,8 hv lähtö: 2,8 kW / 3,8 hv	
Kokonaismitat	456 mm × 160 mm × 248 mm (18" × 6,3" × 9,8")	
Rummun koko	Ø63 mm × 120 mm (Ø2,48" × 4,7")	
Vaijeri	Synteettinen köysi	Vaijeriköysi
	Ø9,5 mm × 15 m (Ø0,37" × 49,2')	Ø9,2 mm × 14 m (Ø0,36" × 45,9')
Nettopaino	Synteettinen köysi	Vaijeriköysi
	27 kg (59,5 paunaa)	32 kg (70,5 paunaa)

Vetovoima, vetonopeus ja ampeerit (ensimmäinen kerros)

Vetovoima lbs (kg)	Vetonopeus jalkaa/min (m/min)	Moottorin virta ampeeri (enint.)
	12 V DC	12 V DC
0	36 (11,0)	50
2 000 (900)	17,4 (5,3)	120
3 000 (1 360)	15,4 (4,7)	150
6 000 (2 721)	10,5 (3,2)	260
8 000 (3 628)	8,2 (2,5)	300
9 500 (4 309)	6,5 (2,0)	355

Kerrokset, vetovoima ja vaijerin kapasiteetti

Kerros	Nimellinen vetovoima paunaa (kg)	Vaijerin kokonaismäärä rummulla jalkaa (m)
1	9 500 (4 309)	9,8 (3,0)
2	7 600 (3 447)	24,6 (7,5)
3	6 200 (2 812)	42,7 (13,0)
4	5 400 (2 449)	45,9 (14,0)

TEKNISET TIEDOT S9500

Nimellinen vetovoima	9 500 paunaa (4 309 kg)	
Vaihteen välityssuhde	196:1	
Moottori	12 V: Tulo: 4,6 Kw / 6,1 hv lähtö: 2,1 kW / 2,8 hv 24 V: Tulo: 5,8 Kw / 7,8 hv lähtö: 2,8 kW / 3,8 hv	
Kokonaismitat	559 mm × 160 mm × 248 mm (22" × 6,3" × 9,8")	
Rummun koko	Ø63 mm × 223 mm (Ø2,48" × 8,8")	
Vaijeri	Synteettinen köysi	Vaijeriköysi
	Ø9,5 mm × 25 m (Ø0,37" × 82')	Ø9,2 mm × 26 m (Ø0,36" × 85,3')
Nettopaino	Synteettinen köysi	Vaijeriköysi
	30 kg (66,1 paunaa)	40 kg (88,1 paunaa)

Vetovoima, vetonopeus ja ampeerit (ensimmäinen kerros)

Vetovoima	Vetonopeus jalkaa/min (m/min)	Moottorin virta ampeeri (enint.)
lbs (kg)	12 V DC	12 V DC
0	36 (11,0)	50
2 000 (900)	17,4 (5,3)	120
3 000 (1 360)	15,4 (4,7)	150
6 000 (2 721)	10,5 (3,2)	260
8 000 (3 628)	8,2 (2,5)	300
9 500 (4 309)	6,5 (2,0)	355

Kerrokset, vetovoima ja vaijerin kapasiteetti

Kerros	Nimellinen vetovoima paunaa (kg)	Vaijerin kokonaismäärä rummulla jalkaa (m)
1	9 500 (4 309)	18 (5,5)
2	7 600 (3 447)	39,4 (12)
3	6 200 (2 812)	64 (19,5)
4	5 400 (2 449)	85 (26,0)

TEKNISET TIEDOT S12000

Nimellinen vetovoima	12 000 paunaa (5 443kg)	
Vaihteen välityssuhde	253:1	
Moottori	12 V: Tulo: 5,0 Kw / 6,7 hv Lähtö: 3,2 hv / 2,4 kW 24 V: Tulo: 6,0 kW / 8,0 hv Lähtö: 4,2 hv / 3,1 kW	
Kokonaismitat	559 mm × 160 mm × 248 mm (22" × 6,3" × 9,8")	
Rummun koko	Ø63 mm × 223 mm (Ø2,48" × 8,8")	
Vaijeri	Synteettinen köysi	Vaijeriköysi
	Ø11 mm × 25 m (Ø0,43" × 82')	Ø10,2 mm × 25,5 m (Ø0,4" × 83,6')
Nettopaino	Synteettinen köysi	Vaijeriköysi
	32 kg (70,5 paunaa)	44 kg (97 paunaa)

Vetovoima, vetonopeus ja ampeerit (ensimmäinen kerros)

Vetovoima lbs (kg)	Vetonopeus jalkaa/min (m/min)		Nykyinen A	
	12 V DC	24 V DC	12 V DC	24 V DC
0	27,9 (8,5)	36,1 (11,0)	45	30
6 000 (2 721)	11,5 (3,5)	12,1 (3,7)	200	130
8 000 (3 628)	8,2 (2,5)	10,5 (3,2)	240	180
10 000 (4 535)	5,9 (1,8)	8,9 (2,7)	300	220
12 000 (5 443)	4,6 (1,4)	7,9 (2,4)	370	250

Kerrokset, vetovoima ja vaijerin kapasiteetti

Kerros	Nimellinen vetovoima paunaa (kg)	Vaijerin kokonaismäärä rummulla jalkaa (m)
1	12 000 (5 443)	15,1 (4,6)
2	9 533 (4 324)	34,1 (10,4)
3	7 907 (3 586)	57,7 (17,6)
4	6 755 (3 064)	83,7 (25,5)

TEKNISET TIEDOT S14500

Nimellinen vetovoima	14 500 paunaa (6 577 kg)	
Vaihteen välityssuhde	253:1	
Moottori	12 V: Tulo: 5,4 Kw / 7,2 hv Lähtö: 2,7 kW / 3,6 hv 24 V: Tulo: 6,2 Kw / 8,3 hv Lähtö: 3,3 kW / 4,4 hv	
Kokonaismitat	593 mm × 160 mm × 248 mm (23,35" × 6,3" × 9,8")	
Rummun koko	Ø63 mm × 223 mm (Ø2,48" × 8,8")	
Vaijeri	Synteettinen köysi	Vaijeriköysi
	Ø11 mm × 25 m (Ø0,43" × 82')	Ø10,2 mm × 25,5 m (Ø0,4" × 83,6')
Nettopaino	Synteettinen köysi	Vaijeriköysi
	33 kg (72,7 paunaa)	43 kg (94,7 paunaa)

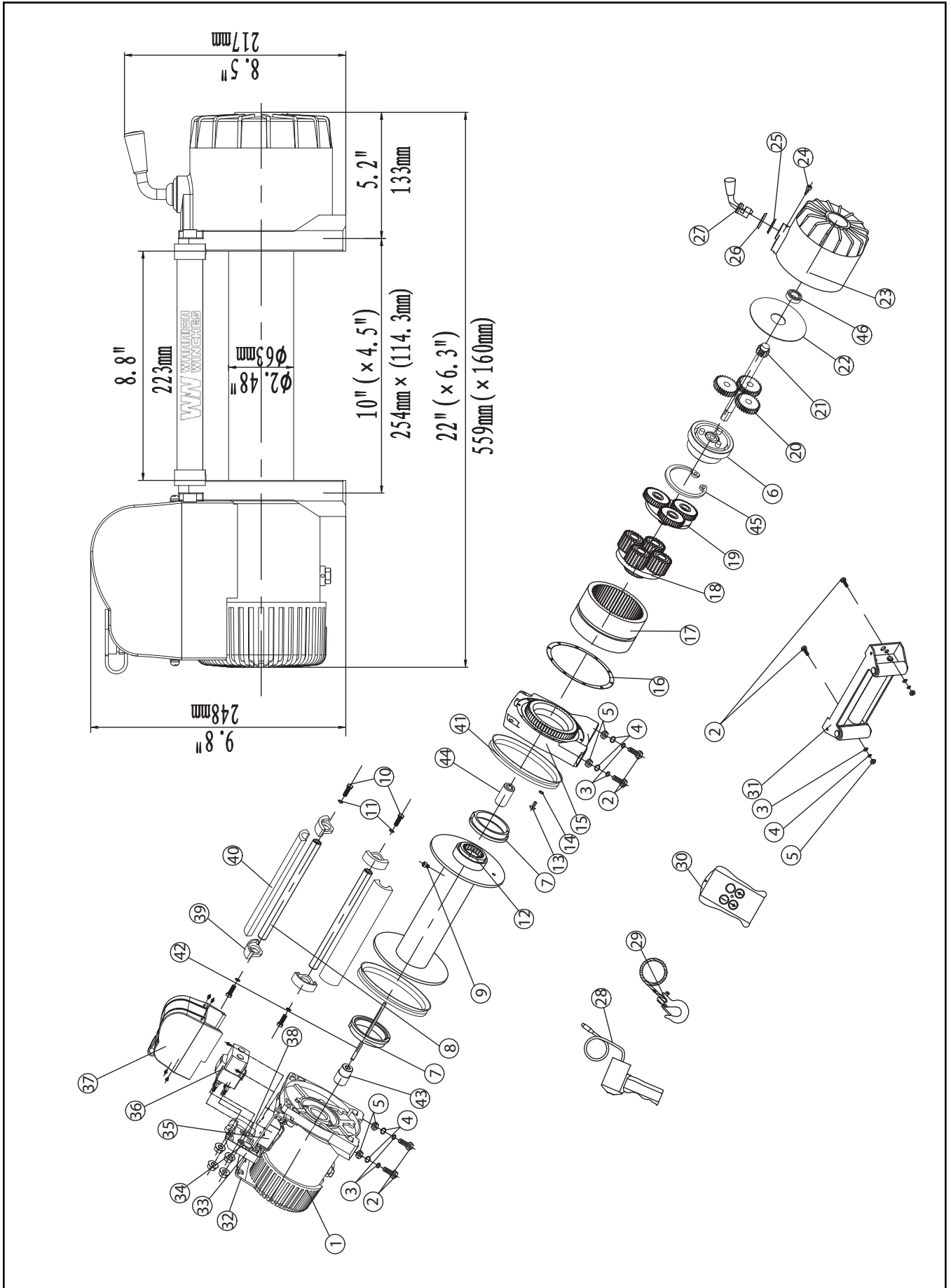
Vetovoima, vetonopeus ja ampeerit (ensimmäinen kerros)

Vetovoima lbs (kg)	Vetonopeus jalkaa/min (m/min)		Nykyinen A	
	12 V DC	24 V DC	12 V DC	24 V DC
0	27,9 (8,5)	36,1 (11,0)	45	30
6 000 (2 721)	11,5 (3,5)	13,8 (4,2)	200	130
8 000 (3 628)	7,87 (2,4)	10,5 (3,2)	245	160
10 000 (4 535)	5,57 (1,7)	8,9 (2,7)	310	190
12 000 (5 443)	4,92 (1,5)	7,9 (2,4)	380	230
14 500 (6 577)	2,6 (0,8)	4,26 (1,3)	460	300

Kerrokset, vetovoima ja vaijerin kapasiteetti

Kerros	Nimellinen vetovoima paunaa (kg)	Vaijerin kokonaismäärä rummulla jalkaa (m)
1	14 500 (6 577)	15,1 (4,6)
2	11 519 (5 224)	34,1 (10,4)
3	9 556 (4 334)	57,7 (17,6)
4	8 163 (3 702)	83,7 (25,5)

WINCH ASSEMBLY DRAWING S8000

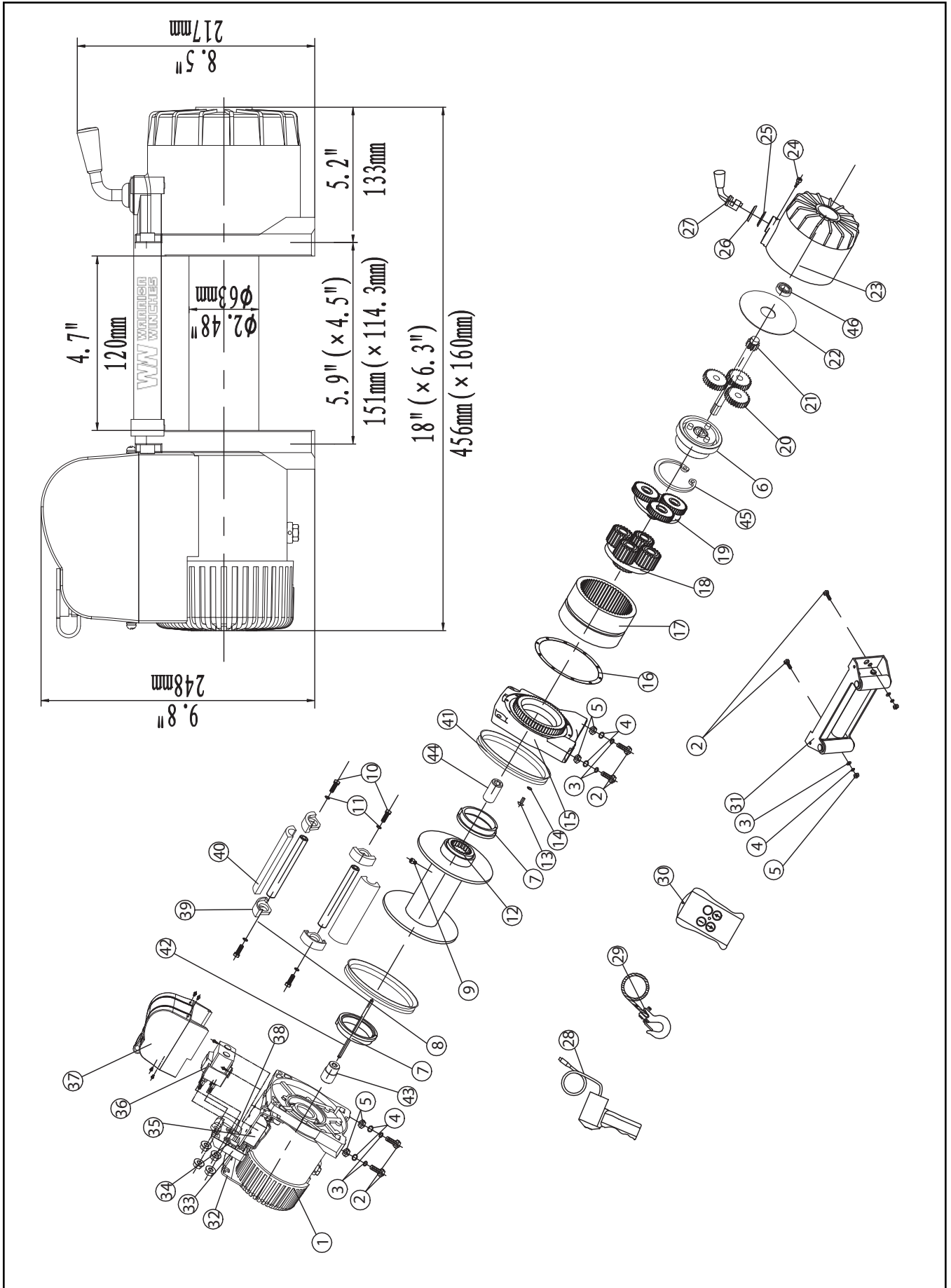


WINCH PARTS LIST (S8000)

#	Part Number	Description	Qty.
1	V950100	Motor Assembly	1
2	V800001	Cap Screw M10 x 35	6
3	V800002	Lock Washer Ø10	6
4	V800003	Think Flat Washer Ø10	6
5	V800004	Hex Flange Nut M10	6
6	V950200	Break / Shaft Assembly	1
7	V1200005	Bushing—Drum	2
8	V800006	Tie Bar	2
9	V800007	Screw M8 x 10	1
10	V800008	Think Flat Washer Ø8	4
11	V800009	Cap Screw M8 x 30	4
12	V1200300	Drum Assembly	1
13	V800010	Screw M5 x18	8
14	V800011	Lock Washer Ø5	8
15	V1200012	End Bearing	1
16	V800013	Gasket	1
17	V800014	Gear—Ring	1
18	V800400	Gear Carrier Assembly -(Output)	1
19	V800500	Gear Carrier Assembly (Intermediate)	1
20	V800600	Gear Carrier Assembly (Intput)	1
21	V800015	Gear—Input Sun	1
22	V800016	Trust Washer	1
23	V800017	Gear—Housing	1
24	V800018	Clutch Screw	1
25	V800019	Ring Seals	1
26	V800020	Clutch Cover	1
27	V1200021	Clutch	1
28	V800RS	Remote Control Switch(R8)	1
29	V800800	Cable Assembly	1
30	V80WRS	Wireless Remote Control Switch	1
31	V800900	Roller Fairlead	1
32	V800022	Mounting Play	1
33	V800023	Connecting Piece	1
34	V800024	Connecting Piece	1

#	Part Number	Description	Qty.
35	V801300	Wireless Switch Receiver	1
36	V1201400	Relay with Screw Assembly	1
37	V951500	Cover with Screw Assembly	1
38	V800025	Connecting Piece	1
39	V1200026	Connecting Block	4
40	V1200027	Connecting Rod Sets	2
41	V800028	Ring Seals	2
42	V800029	Six angle bar	1
43	V800030	Coupling	1
44	V800031	Coupling	1
45	V800032	Circlip For Hole	1
46	V800033	Bearing	1

WINCH ASSEMBLY DRAWING S9500SD

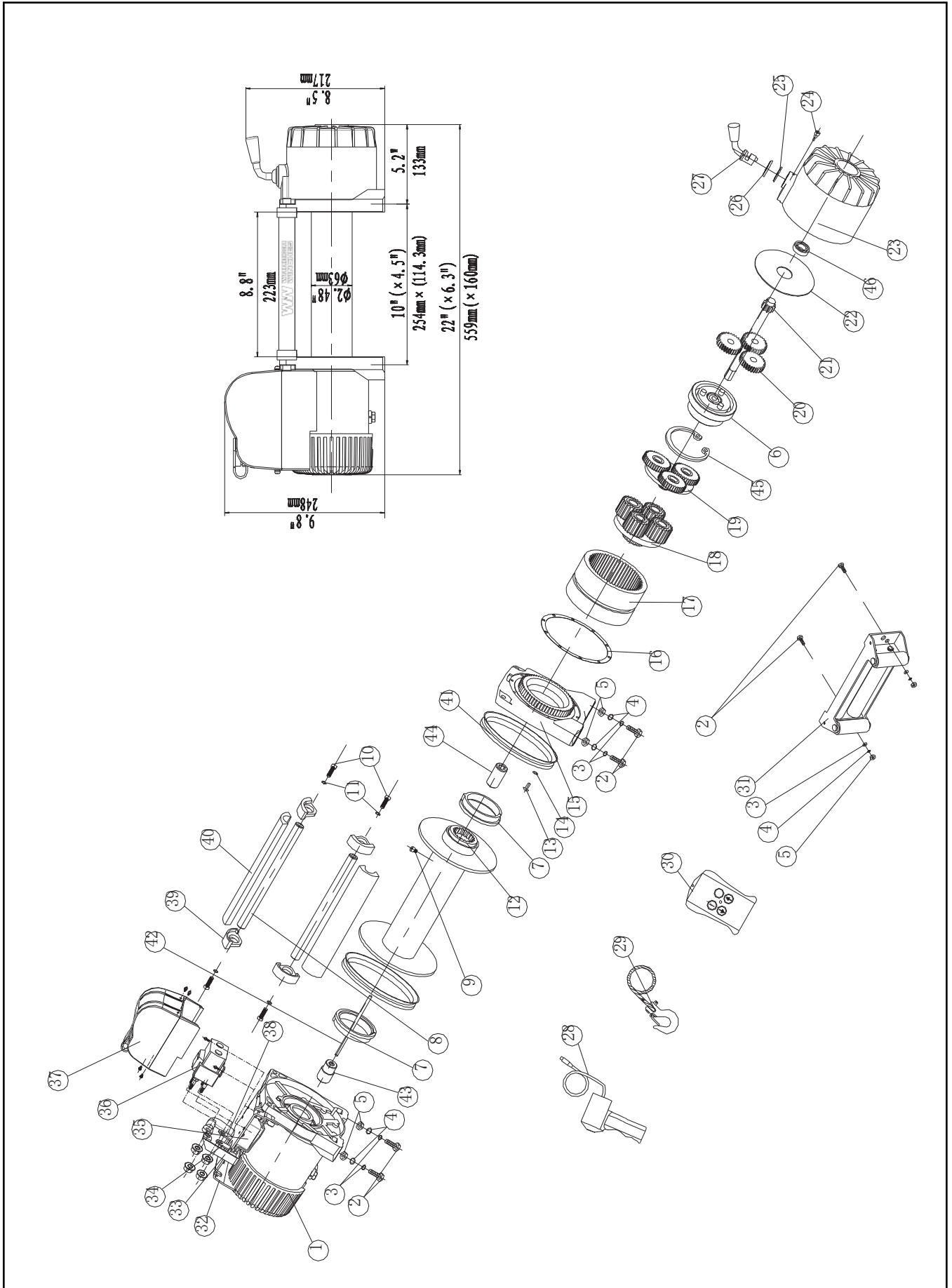


WINCH PARTS LIST (S9500SD)

#	Part Number	Description	Qty.
1	V950100	Motor Assembly	1
2	V95SD0001	Cap Screw M10 x 35	6
3	V95SD0002	Lock Washer Ø10	6
4	V95SD0003	Think Flat Washer Ø10	6
5	V95SD0004	Hex Flange Nut M10	6
6	V950200	Break / Shaft Assembly	1
7	V1200005	Bushing—Drum	2
8	V95SD0006	Tie Bar	2
9	V95SD0007	Screw M8 x 10	1
10	V95SD0008	Think Flat Washer Ø8	4
11	V95SD0009	Cap Screw M8 x 30	4
12	V95SD0300	Drum Assembly	1
13	V95SD0010	Screw M5 x18	8
14	V95SD0011	Lock Washer Ø5	8
15	V1200012	End Bearing	1
16	V95SD0013	Gasket	1
17	V95SD0014	Gear—Ring	1
18	V95SD0400	Gear Carrier Assembly -(Output)	1
19	V95SD0500	Gear Carrier Assembly (Intermediate)	1
20	V95SD0600	Gear Carrier Assembly (Input)	1
21	V95SD0015	Gear—Input Sun	1
22	V95SD0016	Trust Washer	1
23	V95SD0017	Gear—Housing	1
24	V95SD0018	Clutch Screw	1
25	V95SD0019	Ring Seals	1
26	V95SD0020	Clutch Cover	1
27	V1200021	Clutch	1
28	V95SDRS	Remote Control Switch(R8)	1
29	V95SD0800	Cable Assembly	1
30	V95SDWRS	Wireless Remote Control Switch	1
31	V95SD0900	Roller Fairlead	1
32	V95SD0022	Mounting Play	1
33	V95SD0023	Connecting Piece	1

#	Part Number	Description	Qty.
34	V95SD0024	Connecting Piece	1
35	V95SD1300	Wireless Switch Receiver	1
36	V1201400	Relay with Screw Assembly	1
37	V951500	Cover with Screw Assembly	1
38	V95SD0025	Connecting Piece	1
39	V1200026	Connecting Block	4
40	V95SD0027	Connecting Rod Sets	2
41	V95SD0028	Ring Seals	2
42	V95SD0029	Six angle bar	1
43	V95SD0030	Coupling	1
44	V95SD0031	Coupling	1
45	V95SD0032	Circlip For Hole	1
46	V95SD0033	Bearing	1

WINCH ASSEMBLY DRAWING S9500

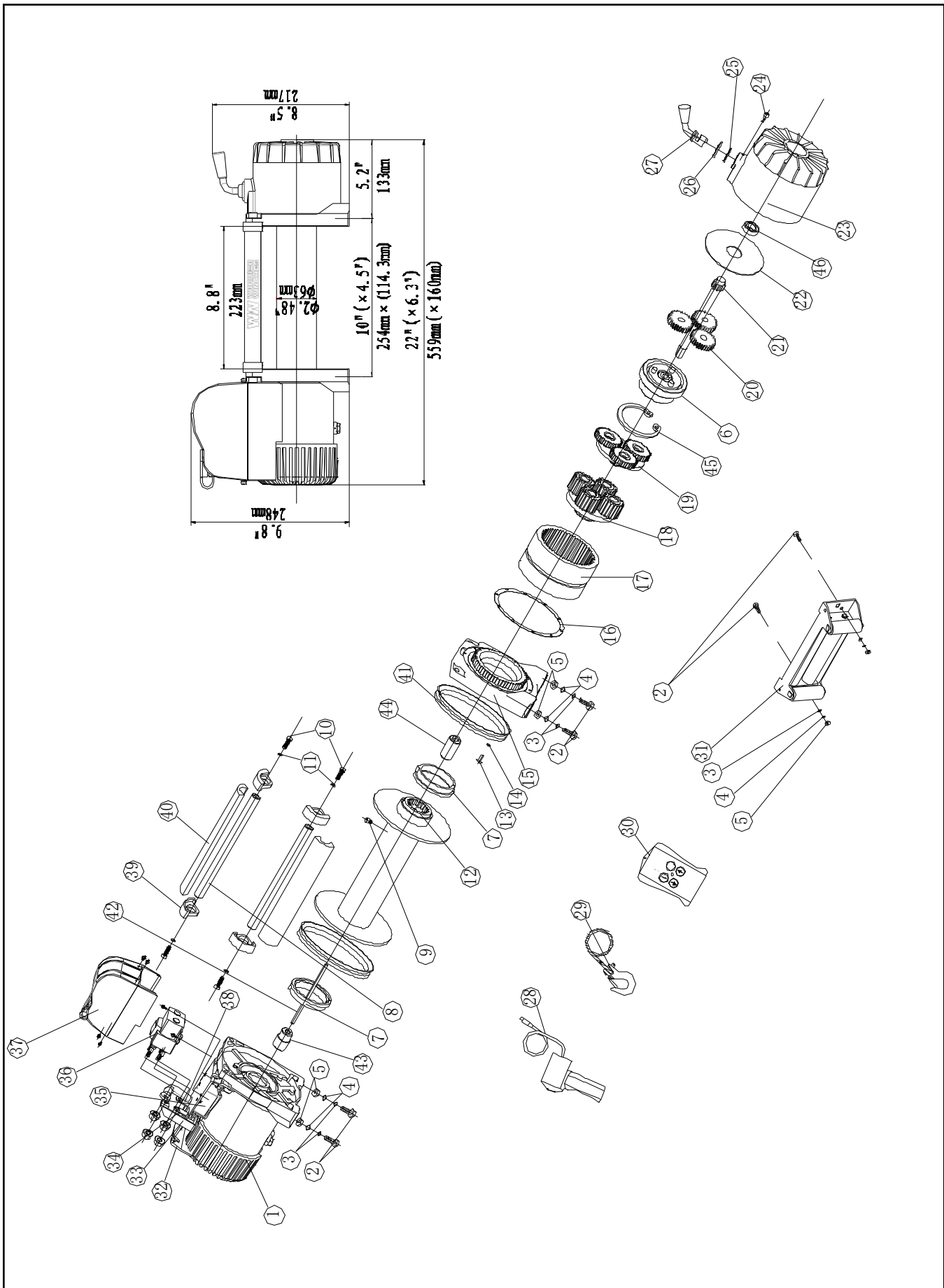


WINCH PARTS LIST (S9500)

#	Part Number	Description	Qty.
1	V950100	Motor Assembly	1
2	V950001	Cap Screw M10 x 35	6
3	V950002	Lock Washer Φ 10	6
4	V950003	Think Flat Washer Φ 10	6
5	V950004	Hex Flange Nut M10	6
6	V950200	Break / Shaft Assembly	1
7	V1200005	Bushing—Drum	2
8	V950006	Tie Bar	2
9	V950007	Screw M8 x 10	1
10	V950008	Think Flat Washer Φ 8	4
11	V950009	Cap Screw M8 x 30	4
12	V1200300	Drum Assembly	1
13	V950010	Screw M5 x18	8
14	V950011	Lock Washer Φ 5	8
15	V1200012	End Bearing	1
16	V950013	Gasket	1
17	V950014	Gear—Ring	1
18	V950400	Gear Carrier Assembly (Output)	1
19	V950500	Gear Carrier Assembly (Intermediate)	1
20	V950600	Gear Carrier Assembly (Input)	1
21	V950015	Gear—Input Sun	1
22	V950016	Trust Washer	1
23	V950017	Gear—Housing	1
24	V950018	Clutch Screw	1
25	V950019	Ring Seals	1
26	V950020	Clutch Cover	1
27	V1200021	Clutch	1
28	V950RS	Remote Control Switch (R8)	1
29	V950800	Cable Assembly	1
30	V95WRS	Wireless Remote Control Switch	1
31	V950900	Roller Fairlead	1
32	V950022	Mounting Play	1
33	V950023	Connecting Piece	1
34	V950024	Connecting Piece	1

#	Part Number	Description	Qty.
35	V951300	Wireless Switch Receiver	1
36	V1201400	Relay with Screw Assembly	1
37	V951500	Cover with Screw Assembly	1
38	V950025	Connecting Piece	1
39	V1200026	Connecting Block	4
40	V1200027	Connecting Rod Sets	2
41	V950028	Ring Seals	2
42	V950029	Six angle bar	1
43	V950030	Coupling	1
44	V950031	Coupling	1
45	V950032	Circlip For Hole	1
46	V950033	Bearing	1

WINCH ASSEMBLY DRAWING S12000

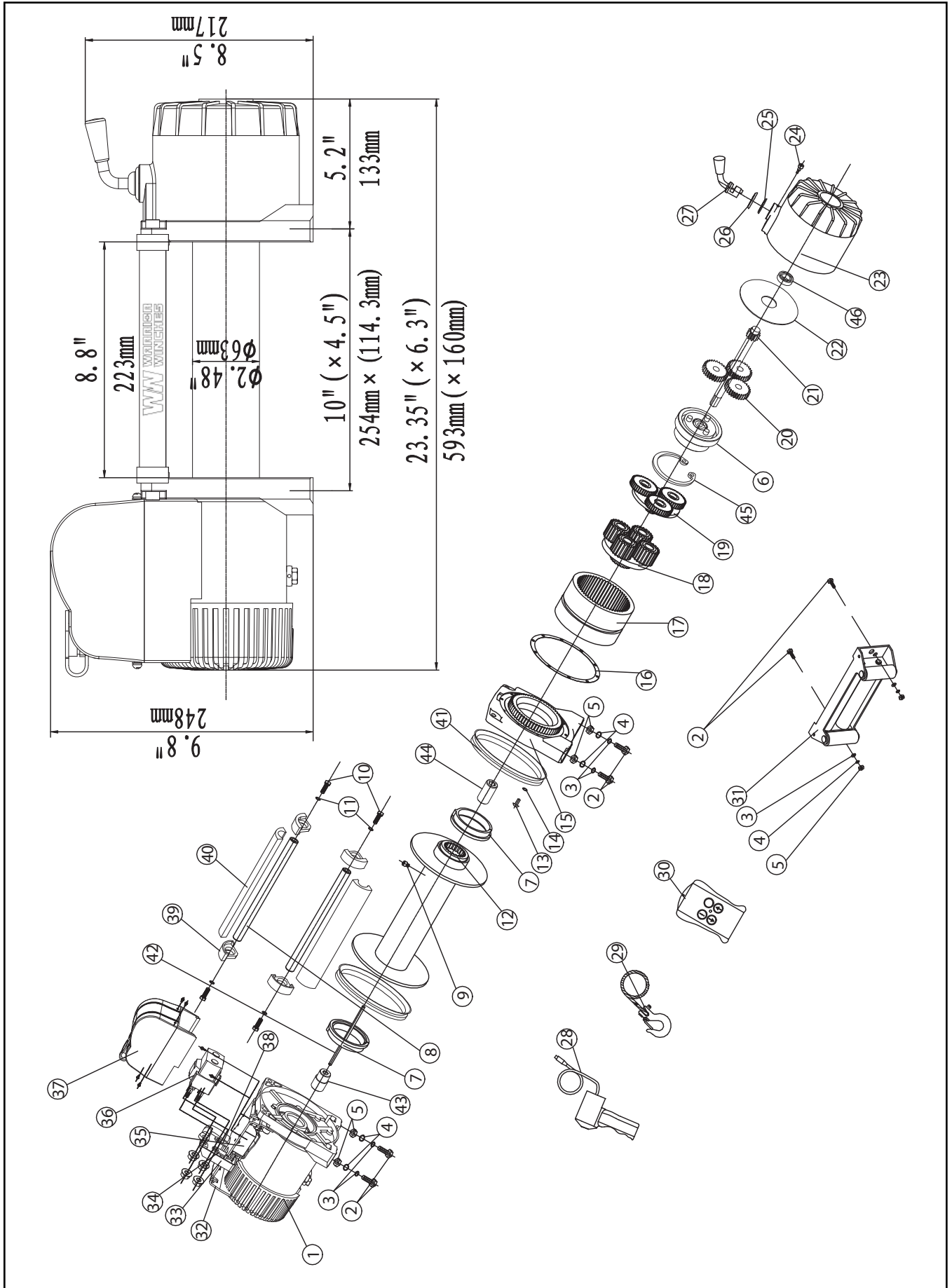


WINCH PARTS LIST (S12000)

#	Part Number	Description	Qty.
1	V1200100	Motor Assembly	1
2	V1200001	Cap Screw M10 x 35	6
3	V1200002	Lock Washer Φ 10	6
4	V1200003	Think Flat Washer Φ 10	6
5	V1200004	Hex Flange Nut M10	6
6	V1200200	Break / Shaft Assembly	1
7	V1200005	Bushing—Drum	2
8	V1200006	Tie Bar	2
9	V1200007	Screw M8 x 10	1
10	V1200008	Think Flat Washer Φ 8	4
11	V1200009	Cap Screw M8 x 30	4
12	V1200300	Drum Assembly	1
13	V1200010	Screw M5 x18	8
14	V1200011	Lock Washer Φ 5	8
15	V1200012	End Bearing	1
16	V1200013	Gasket	1
17	V1200014	Gear—Ring	1
18	V1200400	Gear Carrier Assembly (Output)	1
19	V1200500	Gear Carrier Assembly (Intermediate)	1
20	V1200600	Gear Carrier Assembly (Input)	1
21	V1200015	Gear—Input Sun	1
22	V1200016	Trust Washer	1
23	V1200017	Gear—Housing	1
24	V1200018	Clutch Screw	1
25	V1200019	Ring Seals	1
26	V1200020	Clutch Cover	1
27	V1200021	Clutch	1
28	V120RS	Remote Control Switch (R8)	1
29	V1200800	Cable Assembly	1
30	V120WRS	Wireless Remote Control Switch	1
31	V1200900	Roller Fairlead	1
32	V1200022	Mounting Play	1
33	V1200023	Connecting Piece	1
34	V1200024	Connecting Piece	1

#	Part Number	Description	Qty.
35	V1201300	Wireless Switch Receiver	1
36	V1201400	Relay with Screw Assembly	1
37	V1201500	Cover with Screw Assembly	1
38	V1200025	Connecting Piece	1
39	V1200026	Connecting Block	4
40	V1200027	Connecting Rod Sets	2
41	V1200028	Ring Seals	2
42	V1200029	Six angle bar	1
43	V1200030	Coupling	1
44	V1200031	Coupling	1
45	V1200032	Circlip For Hole	1
46	V1200033	Bearing	1

WINCH ASSEMBLY DRAWING S14500



WINCH PARTS LIST (S14500)

#	Part Number	Description	Qty.
1	V1450100	Motor Assembly	1
2	V1450001	Cap Screw M10 x 35	6
3	V1450002	Lock Washer Ø10	6
4	V1450003	Think Flat Washer Ø10	6
5	V1450004	Hex Flange Nut M10	6
6	V1450200	Break / Shaft Assembly	1
7	V1450005	Bushing—Drum	2
8	V1450006	Tie Bar	2
9	V1450007	Screw M8 x 10	1
10	V1450008	Think Flat Washer Ø8	4
11	V1450009	Cap Screw M8 x 30	4
12	V1450300	Drum Assembly	1
13	V1450010	Screw M5 x18	8
14	V1450011	Lock Washer Ø5	8
15	V1450012	End Bearing	1
16	V1450013	Gasket	1
17	V1450014	Gear—Ring	1
18	V1450400	Gear Carrier Assembly -(Output)	1
19	V1450500	Gear Carrier Assembly (Intermediate)	1
20	V1450600	Gear Carrier Assembly (Input)	1
21	V1450015	Gear—Input Sun	1
22	V1450016	Trust Washer	1
23	V1450017	Gear—Housing	1
24	V1450018	Clutch Screw	1
25	V1450019	Ring Seals	1
26	V1450020	Clutch Cover	1
27	V1450021	Clutch	1
28	V145RS	Remote Control Switch(R8)	1
29	V1450800	Cable Assembly	1
30	V145WRS	Wireless Remote Control Switch	1
31	V1450900	Roller Fairlead	1
32	V1450022	Mounting Play	1
33	V1450023	Connecting Piece	1

#	Part Number	Description	Qty.
34	V1450024	Connecting Piece	1
35	V1451300	Wireless Switch Receiver	1
36	V1451400	Relay with Screw Assembly	1
37	V1451500	Cover with Screw Assembly	1
38	V1450025	Connecting Piece	1
39	V1450026	Connecting Block	4
40	V1450027	Connecting Rod Sets	2
41	V1450028	Ring Seals	2
42	V1450029	Six angle bar	1
43	V1450030	Coupling	1
44	V1450031	Coupling	1
45	V1450032	Circlip For Hole	1
46	V1450033	Bearing	1

EC Declaration of Conformity

Zertifikatnr. / Certificat nr / Certificate No. 8924040722-BPE-V1

Lieferant und Emittent / Fournisseur et émetteur / Supplier and Issuer:
BPE Solutions Deutschland GmbH, Alttrottstrasse 31, 69190 Walldorf, Deutschland

Gerät(e) / Dispositif (s) / Equipment	12V / 24V Samurai Electric Winch
Modell / Modèle / Model	800VS12, 800VS24, 800VA12, 800VA24, 950VS12, 950VS24, 950VA12, 950VA24, 120VS12, 120VS24, 120VA12, 120VA24, 145VS12, 145VS24, 145VA12, 145VA24, 175SS12, 175SS24, 175SA12, 175SA24, 200SS12, 200SS24, 200SA12, 200SA24
Seriennummer / numéro de série / Serial Number	

Gemäß den folgenden Richtlinien / Conformément aux directives suivantes
In accordance with the following directives :

Machinery Directive 2006/42/EC
Electromagnetic Compatibility Directive 2014/30/EU

Gemäß den folgenden Normen / Selon les normes suivantes /
In accordance with the following Standards:

BS EN IEC 61000-6-2:2019	BS EN 60204-1:2018
BS EN IEC 61000-6-4:2019	BS EN ISO 12100:2010

Hiermit erkläre ich, dass das/die obengenannte(n) Gerät(e) gemäß den relevanten Abschnitten der obigen Anforderungen entworfen und hergestellt wurde(n). Die Produkte entsprechen den Grundanforderungen der relevanten Richtlinien und Normen. Dieses Zertifikat ist nur bei den obengenannten Produkten und Konfigurationen im Zusammenhang mit detaillierten Testdaten sowie mit allen zutreffenden rechtlichen Vorschriften des Produktes gültig.

Je déclare par la présente que le(s) dispositif(s) ci – dessus ont été conçus et fabriqués conformément aux sections pertinentes des exigences ci-dessus. Les produits satisfont aux exigences de base des directives et normes applicables. Ce certificat n'est valable que pour les produits et configurations ci-dessus en relation avec des données de test détaillées ainsi qu'avec toutes les réglementations légales applicables du produit.

I hereby declare that the equipment named above has been designed and manufactured to comply with relevant sections of the above referenced specifications. The products comply with the essential requirements of the relevant directives and standards. This certificate is only valid for the product(s) and configuration described in conjunction with details test data and with all applicable legal requirements of this product.

This declaration of conformity is issued under the exclusive responsibility of the manufacturer.

Datum / Date:	28.12.2023 10:26
Land / Pays / Issuing Country:	Deutschland


Paul Bimson
QA & Development Manager



Registered Technical File Holders Address
BPE Solutions Deutschland GmbH
Alttrottstrasse 31
69190 Walldorf
Deutschland
DE 347460020

EC Declaration of Conformity

Certificate No. 8924040722-BPE-V2

Supplier and Issuer:

BPE Holdings Ltd, Unit 17/18A Bradley Hall Trad Est, Bradley Lane, Wigan, WN6 0XQ, UK

Equipment	12V, 24V Samurai Electric Winches
Model	800VS12, 800VS24, 800VA12, 800VA24, 950VS12, 950VS24, 950VA12, 950VA24, 120VS12, 120VS24, 120VA12, 120VA24, 145VS12, 145VS24, 145VA12, 145VA24, 175SS12, 175SS24, 175SA12, 175SA24, 200SS12, 200SS24, 200SA12, 200SA24
Serial Number	

In accordance with the following directives :

Machinery Directive 2006/42/EC
Electromagnetic Compatibility Directive 2014/30/EU

In accordance with the following Standards:

BS EN 60204-1:2018	BS EN ISO 12100:2010
BS EN IEC 61000-6-2:2019	BS EN IEC 61000-4-2:2019

I hereby declare that the equipment named above has been designed and manufactured to comply with relevant sections of the above referenced specifications. The products comply with the essential requirements of the relevant directives and standards. This certificate is only valid for the product(s) and configuration described in conjunction with details test data and with all applicable legal requirements of this product.

This declaration of conformity is issued under the exclusive responsibility of the manufacturer.

Date:	28.12.2023 11:52
Issuing Country:	United Kingdom

X *P Bimson*

Paul Bimson
QA & Development Manager

**UK
CA**

Registered Technical File Holder
BPE Holdings Ltd
Unit 17/18A Bradley Hall Trad Est
Bradley Lane
Wigan
WN6 0XQ
UK

**For warranty enquiries please contact us
using the details below:**

Service & Technical Contacts

United Kingdom:

BPE Holdings
Unit 17-18
Bradley Hall Trading Estate
Bradley Lane, Standish
Wigan, WN6 0XQ, UK
support@bimsonpowergroup.com

Germany:

BPE Solutions Deutschland GmbH
Altrottstraße 31
D-69190 Walldorf
Germany
support@bimsonpowergroup.com

France:

BPE Solutions France SAS
3 Boulevard de Belfort
59000 Lille
France
support@bimsonpowergroup.com